

CODE NUMBER

34001004

DESCRIPTION

1.6/0.8 gpf, Polished Chrome Finish, Fixture Connection , Dual Flush, Battery with Hardwired Option, TruFlush Concealed Manual Electronic Hardwired Water Closet Flushometer.

DETAILS

- Flush Volume: 1.6/0.8 gpf (6.0/3 Lpf)
- Finish: Polished Chrome (CP)
- Power Type: Battery with Hardwired Option
- Battery Life: 5 years
- Fixture Type: Water Closet

FEATURES

- Electroplated heavy duty metal wall plate
- Corrosion-resistant, vandal resistant plate
- Sloan waterproof electronic PCB with tactile push buttons
- Ability to hardwire with battery backup
- Includes four (4) AA size batteries

**ELECTRICAL SPECIFICATIONS**

- Arming Delay: 8 seconds
- Battery Life: 5 years
- Control Circuit: 6 VDC Input Solid State
- Solenoid Operator: 6 VAC
- Transformers (sold separately):
 - EL-386 (Up to 1 flushometer)
 - EL-451 (up to 6 flushometers)

VALVE OPERATING PRESSURE (FLOWING)

20–80 PSI (138–552 kPa). Specific fixtures may require greater minimum flowing pressure - consult manufacturer requirements.

DOWNLOADS

- [TRF Electronic Dual Flush Wall Plate Installation Instructions](#)
- [TRF Electronic Dual Flush Repair & Maintenance Guide](#)

NOTES

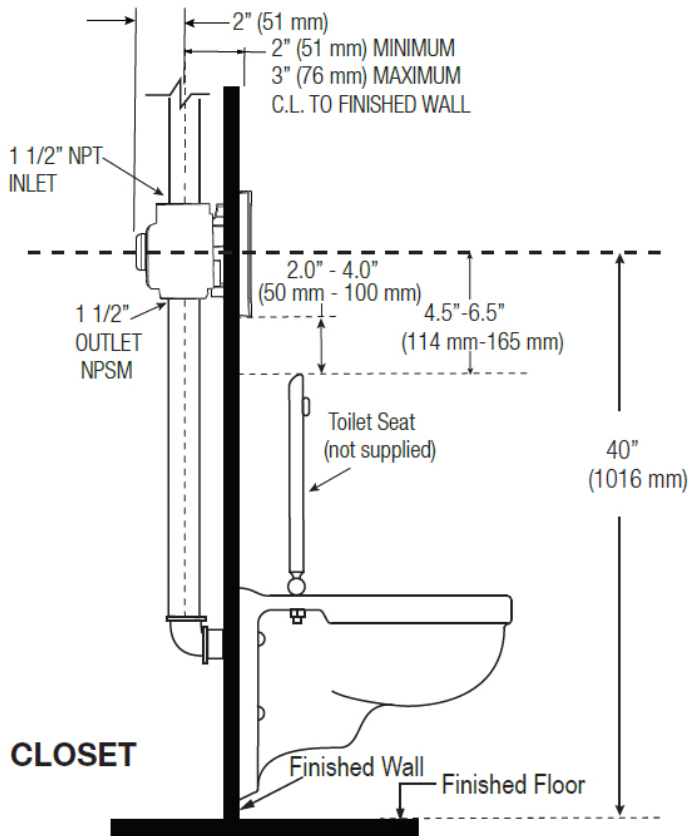
All information contained within this document subject to change without notice.

[Find a compatible urinal](#) for this flushometer.

[Find a compatible water closet](#) for this flushometer.

Battery life varies according to actual usage and restroom conditions.

ROUGH-IN



NOTE : Flush Connections shown in dotted lines not included.

