

INSTALLATION INSTRUCTIONS FOR COMPLETE SLOAN HAND DRYER SPOUT



EHD-511 SPOUT

LIMITED WARRANTY

Unless otherwise noted, Sloan Valve Company warrants this product, manufactured and sold for commercial or industrial uses, to be free from defects in material and workmanship for a period of three (3) years (one (1) year for special finishes, SF faucets, PWT electronics and 30 days for PWT software) from date of first purchase. During this period, Sloan Valve Company will, at its option, repair, replace, or refund the purchase price of any product which fails to conform with this warranty under normal use and service. This shall be the sole and exclusive remedy under this warranty. Products must be returned to Sloan Valve Company, at customer's cost. No claims will be allowed for labor, transportation or other costs. This warranty extends only to persons or organizations who purchase Sloan Valve Company's products directly from Sloan Valve Company for purpose of resale. This warranty does not cover the life of the batteries.

THERE ARE NO WARRANTIES WHICH EXTEND BEYOND THE DESCRIPTION ON THE FACE HEREOF. IN NO EVENT IS SLOAN VALVE COMPANY RESPONSIBLE FOR ANY CONSEQUENTIAL DAMAGES OF ANY MEASURE WHATSOEVER.



IMPORTANT



Read this entire installation manual to ensure proper installation. When finished with the installation, file this manual with the owner or maintenance department. Compliance and conformity to local codes and ordinances is the responsibility of the installers.



Separate parts from packaging and make sure all parts are accounted for before discarding any packaging material. If any parts are missing, do not begin installation until you obtain the missing parts.



Turn OFF electrical power to the electrical outlets, then unplug all electrical units prior to installation. Electrical power **MUST** remain off until installation is complete.



Wear all proper safety equipment prior to installation.

TOOLS REQUIRED FOR INSTALLATION

- Slotted screwdriver
- Wire stripper/crimping tool

PRIOR TO INSTALLATION

Prior to installing the Hand Dryer spout install the items listed below.

IMPORTANT:

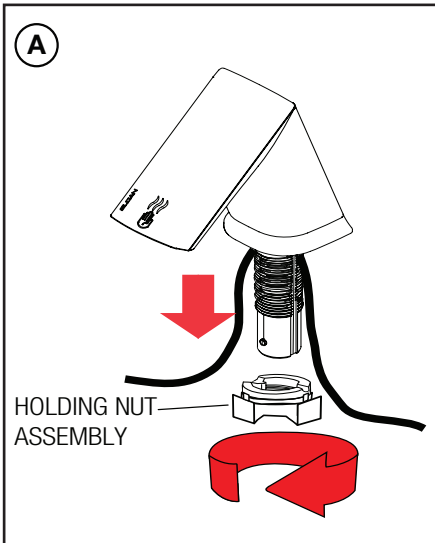
- **INSTALL ALL ELECTRICAL WIRING IN ACCORDANCE WITH NATIONAL/LOCAL CODES AND REGULATIONS.**
- **INSTALL ALL PLUMBING IN ACCORDANCE WITH APPLICABLE CODES AND REGULATIONS.**
- **A 24 VAC STEP-DOWN TRANSFORMER MUST BE USED.**
- **USE APPROPRIATE PRECAUTIONS WHILE CONNECTING THE POWER SOURCE.**

!!! IMPORTANT !!!

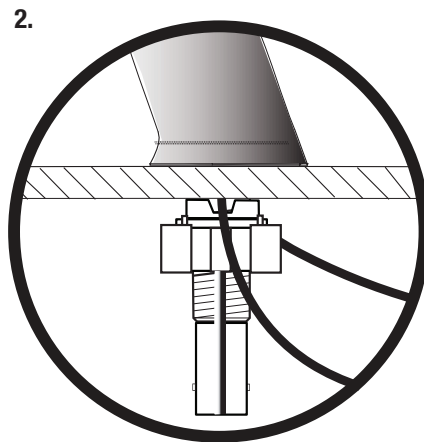
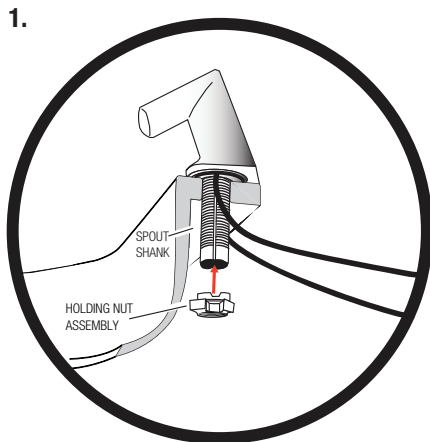
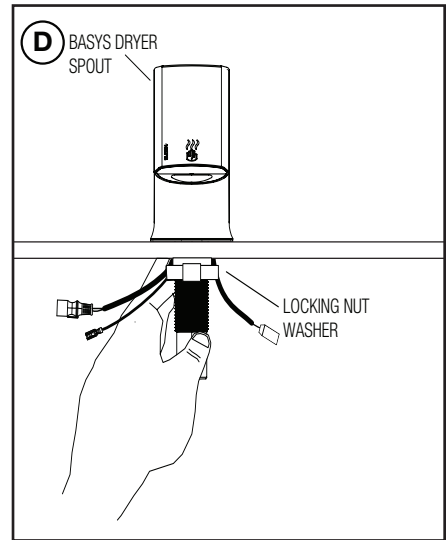
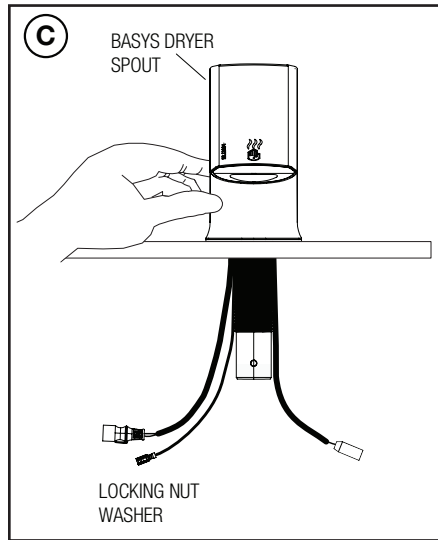
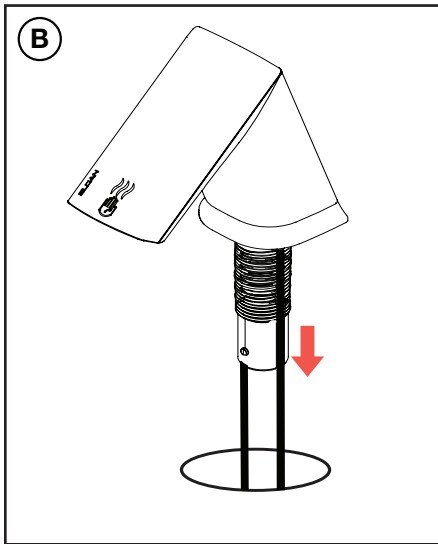
THIS PRODUCT CONTAINS MECHANICAL AND/OR ELECTRICAL COMPONENTS THAT ARE SUBJECT TO NORMAL WEAR. THESE COMPONENTS SHOULD BE CHECKED ON A REGULAR BASIS AND REPLACED AS NEEDED TO MAINTAIN THE VALVES PERFORMANCE.

If you have questions about how to install your hand dryer, consult your local Sloan Representative or call Sloan Technical Support at:
1-888-SLOAN-14 (1-888-756-2614)

1 - INSTALL SPOUT

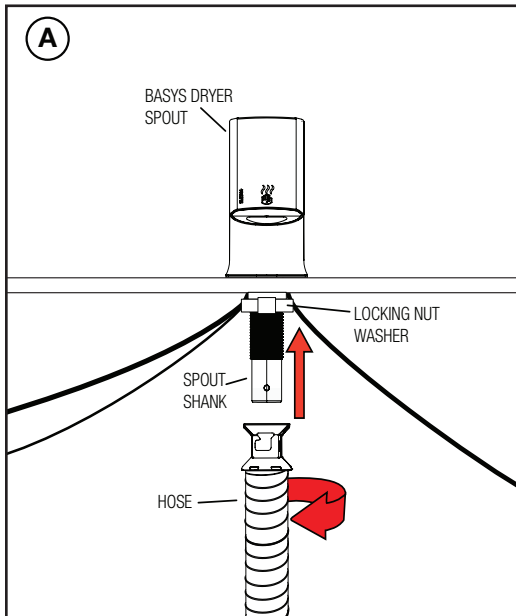


- (A)** Remove holding nut assembly from the spout shank. Unscrew counterclockwise.
- (B)** Ensure the wires are located inside corresponding slots on the sides of the spout shank. Insert spout shank into the deck hole.
- (C)** Holding the spout down on the sink deck, Spread wires away from spout shank, align wires into grooves on locking nut washer **(1)**. Turn the locking nut until it makes contact with the wires. Align spread wires in corresponding relief grooves on top of the locking nut washer.
- (D)** **(2)** Spread the wires horizontally. Turn the locking nut until snug making sure the wires are in the corresponding wire relief grooves on the locking nut washer. Align the spout as desired and tighten the locking nut until the spout is firmly locked into place.

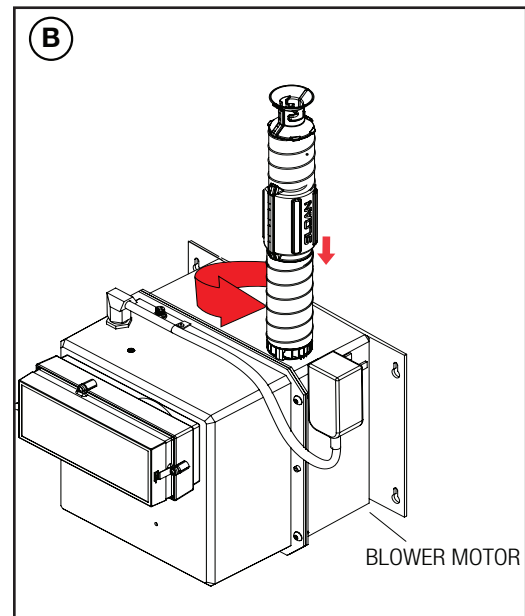


2 - CONNECT HOSE

- A** Align slots in flared connector end of hose with shank guides. Slide over the spout shank until it stops. Rotate the flared connector clockwise until it locks into place (will feel it snap into place).

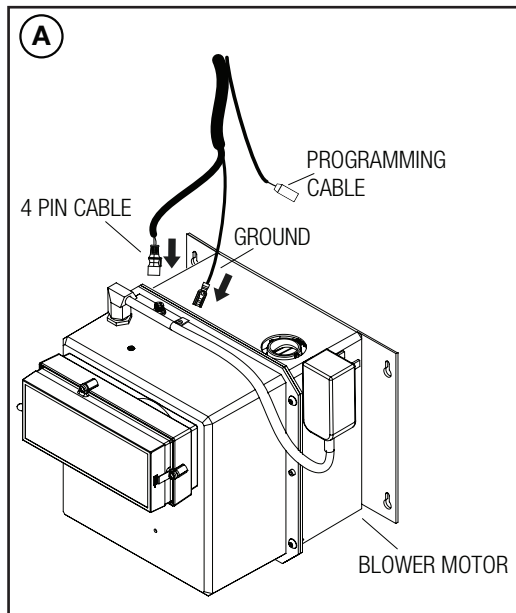


- B** Align slots of round squared connector end of hose to opening guides on hand dryer motor into the opening until it stops, rotate the connector counterclockwise until it locks into place.

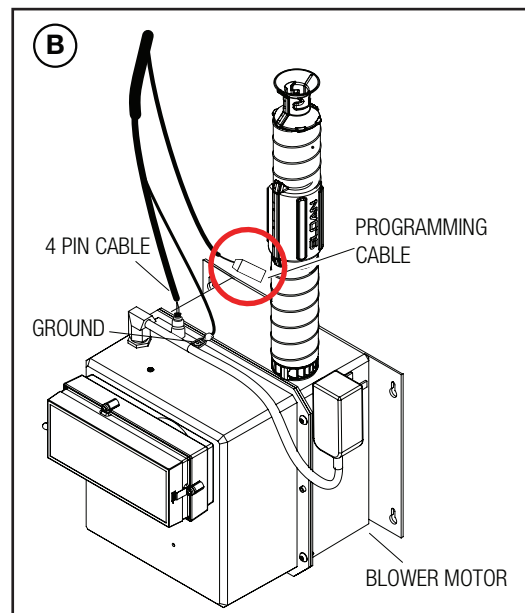


3- CONNECT WIRES

- A** Plug the four (4) pin cable from the spout into the Four (4) pin socket on the Hand Dryer Motor. Plug the ground cable into the ground tab on the Blower Motor.



- B** Leave the Programming Cable unattached. Do not remove or cut-off cable. Cord can be bundled.



CARE AND CLEANING

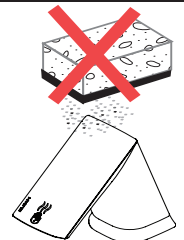
Important:

DISCONNECT ELECTRICAL SUPPLY TO DRYER PRIOR TO SERVICING.

Gently wash spout using a soft cloth or sponge and a mild soap or detergent with lukewarm water to loosen dirt and grime.

CLEANING SHOULD BE PERFORMED BY QUALIFIED SERVICE PERSONNEL

With normal use, dryer will require cleaning once a year. Heavier usage requires more frequent cleaning. Use a small, soft brush to gently clean all parts.

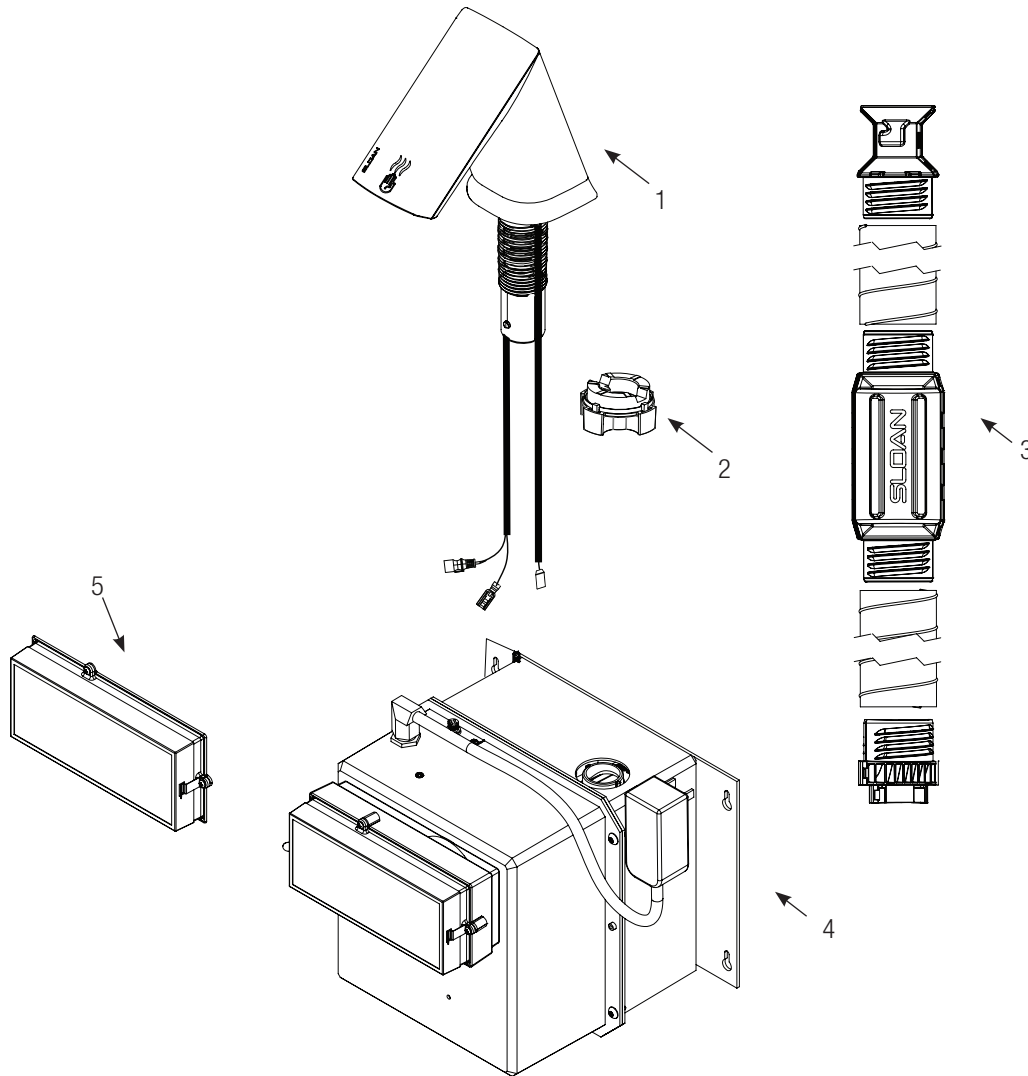


ERROR CODES AND SOLUTIONS

DRYER STATE	ERROR MESSAGE	1st FLASH	2nd FLASH	DRYER OPERATION	POSSIBLE SOLUTION
OFF	No error or condition, user absent	No flash, steady OFF (at dryer box) and No flash, steady ON (at spout)	–	Dryer ready for operation	Normal
ON	No error or condition, user presenting hands	No flash, steady OFF (at dryer box) and No flash, steady ON (at spout)	–	Dryer running	Dryer running while hands are under unit. Normal
ON	Time to clean prefilter or change HEPA Filter	1 Short	1 long	Dryer still runs	Check and clean prefilter. Code should reset after repowering unit. If code reappears then HEPA filter may need replacing.
OFF	Motor over current severe	1 long	3 short	dryer stops running until power is removed, fault has been repaired and power reapplied	Motor is drawing much more current than normal. Motor could be failing. Replace motor. Call Sloan Tech Support 1-888-756-2614.
OFF	Motor quick over current	1 long	3 short	dryer stops running until power is removed, fault has been repaired and power reapplied	Motor drew a quick over current than normal. Could have been caused by a quick over voltage condition or something blocking motor. Motor could be failing. Replace motor. Call Sloan Tech Support 1-888-756-2614.
ON	Heater open condition	2 long	4 short	Dryer still runs. Code clears when power is removed and fault is repaired.	Heating element had opened during operation (thermostat tripped). check for clogged filter, blocked or kinked hose and blocked muffler. If problem persists heating element may be broken or disconnected. Replace or reconnect. Call Sloan Tech Support 1-888-756-2614.
ON	Notification of recent mains over voltage	3 long	1 short	Dryer still runs	Dryer had a spike of higher voltage than normal. Code is for information purposes. Code will clear if unit power is removed and reapplied.
ON	Notification of recent mains under voltage	3 long	2 short	Dryer still runs	Dryer had a spike of lower voltage than normal. Code is for information purposes. Code will clear if unit power is removed and reapplied.
Off	Mains over voltage in progress	3 long	3 short	Dryer stops running until mains voltage returns to a safe level. When safe level returns, dryer runs. The code changes to notification of recent mains over voltage.	Dryer has unsafe voltage applied. Check voltage source. Code will reset when voltage is back to normal.
OFF	Mains under voltage in progress	3 long	4 short	Dryer stops running until mains voltage returns to a safe level. When safe level returns, dryer runs. The code changes to notification of recent mains under voltage.	Dryer has unsafe voltage applied. Check voltage source. Code will reset when voltage is back to normal.
OFF	Control Temperature over temp severe	4 long	3 short	Dryer stops running until power is removed, fault has been repaired and power reapplied.	Dryer control is running very hot. Filter clog may have been disregarded. Check filter and reapply power. If continues Call Sloan Tech Support 1-888-756-2614.

PARTS LIST

Item	Code No.	Part No.	Description
1.	0366050	EHD-511A	BASYS Style Dryer Spout Repair Kit
2.	0366015	EHD-515A	Holding Nut Assembly Repair Kit
3.	0366008	EHD-512A	Hose and Muffler Repair Kit
4.	0366009	EHD-513A	Motor Assembly 110/120V w/HEPA Filter
5.	0366014	EHD-514A	HEPA Filter Repair Kit (filter with screen)



If further assistance is required, please contact Sloan Technical Support at: 1-888-SLOAN-14 or visit us online at: www.sloanvalve.com

The information contained in this document is subject to change without notice.

SLOAN • 10500 SEYMOUR AVENUE • FRANKLIN PARK, IL 60131

Phone: 1-888-SLOAN-14 (1-888-756-2614) • Fax: 1-800-447-8329 • www.sloanvalve.com