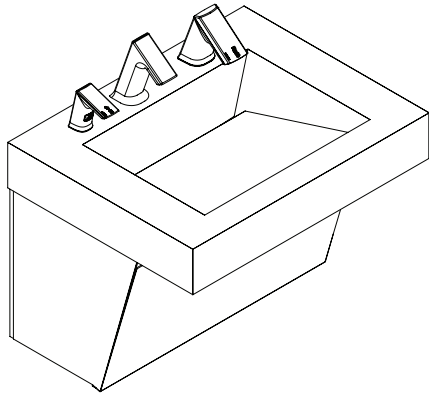
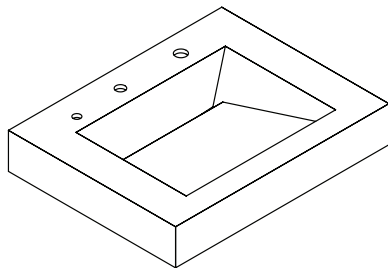


**AER-DEC® 81000/82000/83000/84000
INTEGRATED SINK SYSTEM**

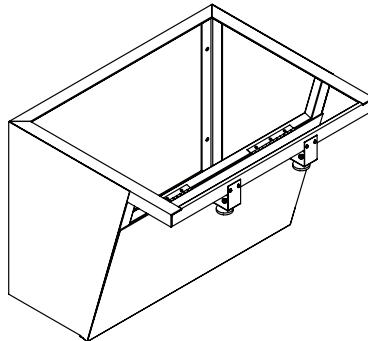


AD-81000
Deck Sink Lavatory System

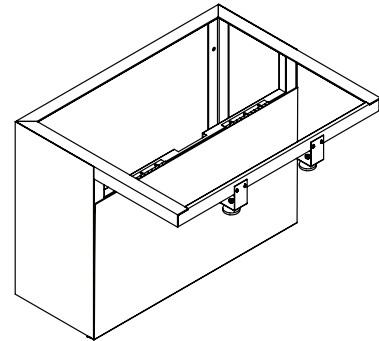
1 Station Components



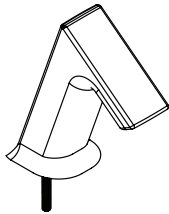
1) AD-81000 Deck



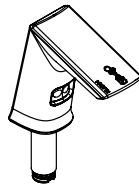
2a) Angled Enclosure



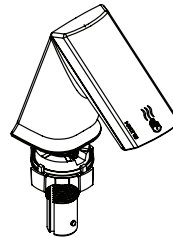
2b) Vertical Enclosure



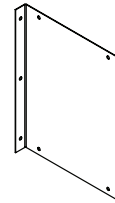
3) EFX Series Faucet



4) ESD 500 Soap Dispenser



5) Basys Style Hand Dryer



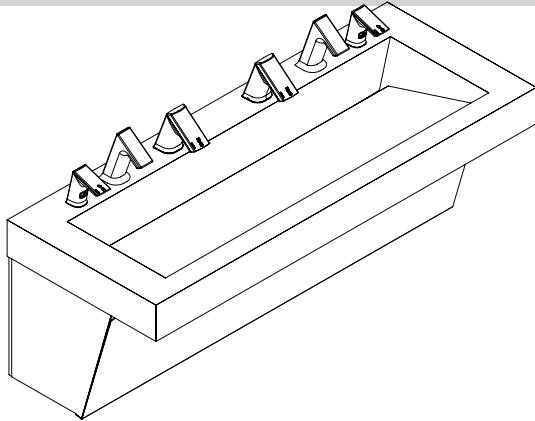
6) Hand Dryer Bracket
(Vertical Enclosure Only)

AER-DEC® One Station Component List

Description	Item Number	Quantity
AER-DEC®, One Station, Integrated Deck	1	1
Angled Enclosure with Hold Open Door	2a	1
Vertical Enclosure with Hold Open Door	2b	1
EFX Series Faucet	3	1
Basys Style ESD 500 Soap Dispenser	4	1
Basys Style Hand Dryer	5	1
Hand Dryer Bracket	6	1

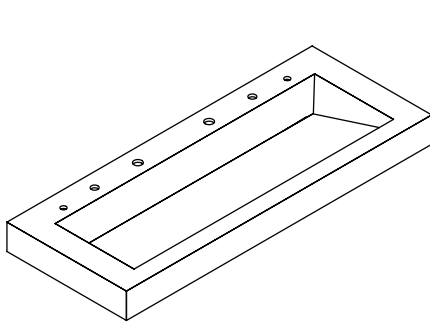
Note: Hand Dryer Motor must be rotated 90° for installation into a standard vertical enclosure.

**AER-DEC® 81000/82000/83000/84000
INTEGRATED SINK SYSTEM**

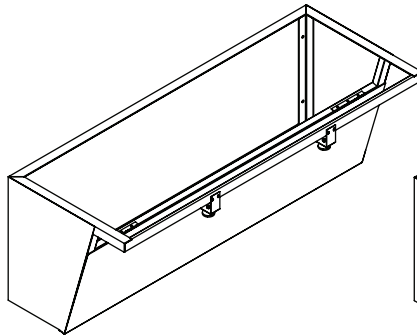


AD-82000
Deck Sink Lavatory System

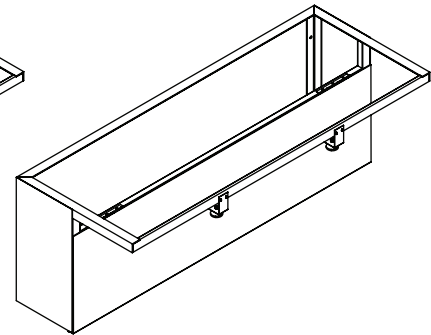
2 Station Components



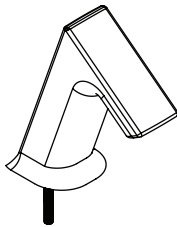
1) AD-82000 Deck



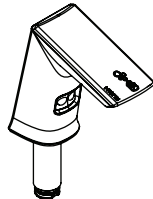
2a) Angled Enclosure



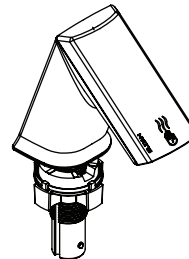
2b) Vertical Enclosure



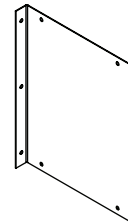
3) EFX Series Faucet



4) ESD 500 Soap Dispenser



5) Basys Style Hand Dryer



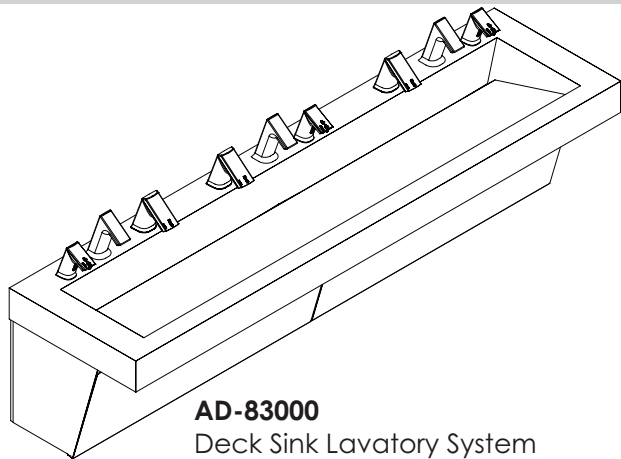
6) Hand Dryer Bracket
(Vertical Enclosure Only)

AER-DEC® Two Station Component List

Description	Item Number	Quantity
AER-DEC®, Two Station, Integrated Deck	1	1
Angled Enclosure with Hold Open Door	2a	1
Vertical Enclosure with Hold Open Door	2b	1
EFX Series Faucet	3	2
Basys Style ESD 500 Soap Dispenser	4	2
Basys Style Hand Dryer	5	2
Hand Dryer Bracket	6	2

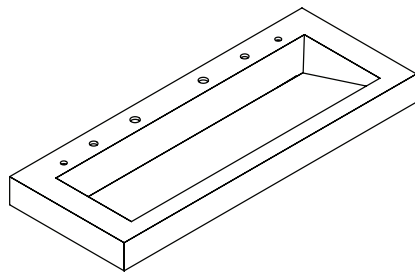
Note: Hand Dryer Motor must be rotated 90° for installation into a standard vertical enclosure.

**AER-DEC® 81000/82000/83000/84000
INTEGRATED SINK SYSTEM**

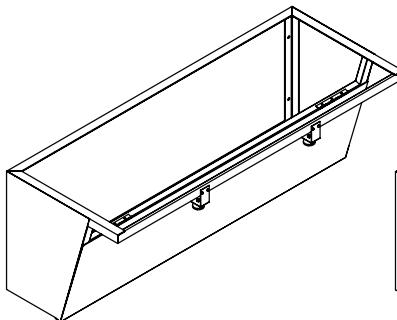


AD-83000
Deck Sink Lavatory System

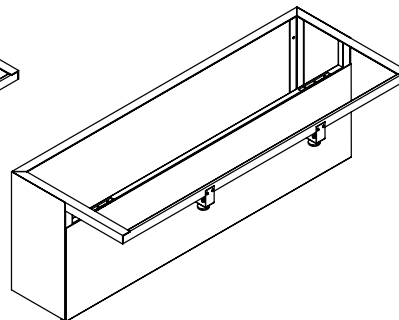
3 Station Components



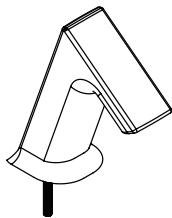
1) AD-82000 Deck



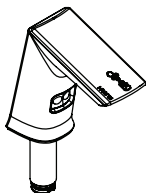
2a) Angled Enclosure



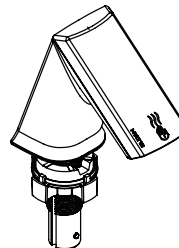
2b) Vertical Enclosure



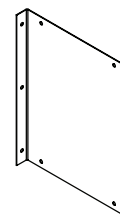
3) EFX Series Faucet



4) ESD 500 Soap Dispenser



5) Basys Style Hand Dryer



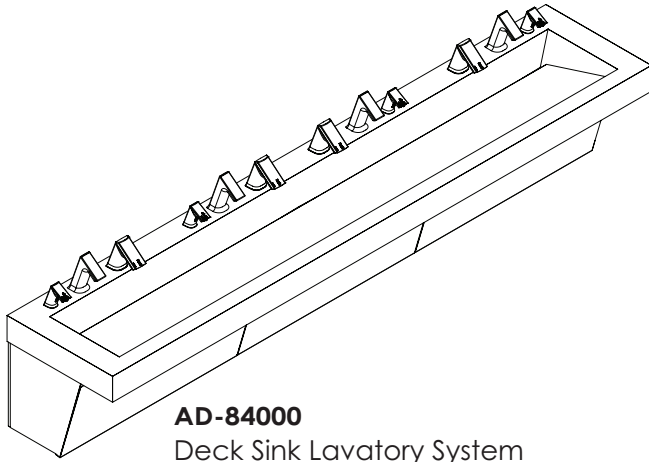
6) Hand Dryer Bracket
(Vertical Enclosure Only)

AER-DEC® Two Station Component List

Description	Item Number	Quantity
AER-DEC®, Two Station, Integrated Deck	1	1
Angled Enclosure with Hold Open Door	2a	1
Vertical Enclosure with Hold Open Door	2b	1
EFX Series Faucet	3	2
Basys Style ESD 500 Soap Dispenser	4	2
Basys Style Hand Dryer	5	2
Hand Dryer Bracket	6	2

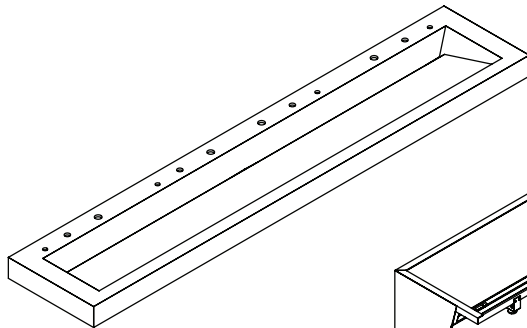
Note: Hand Dryer Motor must be rotated 90° for installation into a standard vertical enclosure.

**AER-DEC® 81000/82000/83000/84000
INTEGRATED SINK SYSTEM**

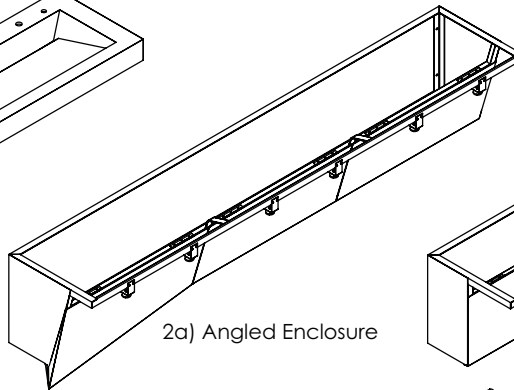


AD-84000
Deck Sink Lavatory System

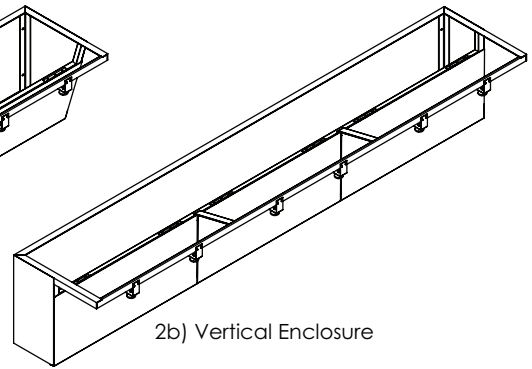
4 Station Components



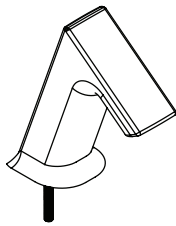
1) AD-83000 Deck



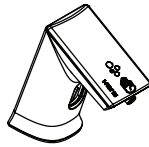
2a) Angled Enclosure



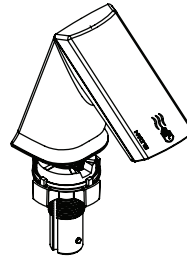
2b) Vertical Enclosure



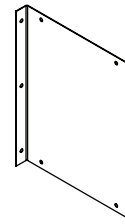
3) EFX Series Faucet



4) ESD 400 Soap Dispenser



5) Basys Style Hand Dryer



6) Hand Dryer Bracket
(Vertical Enclosure Only)

AER-DEC® Four Station Component List

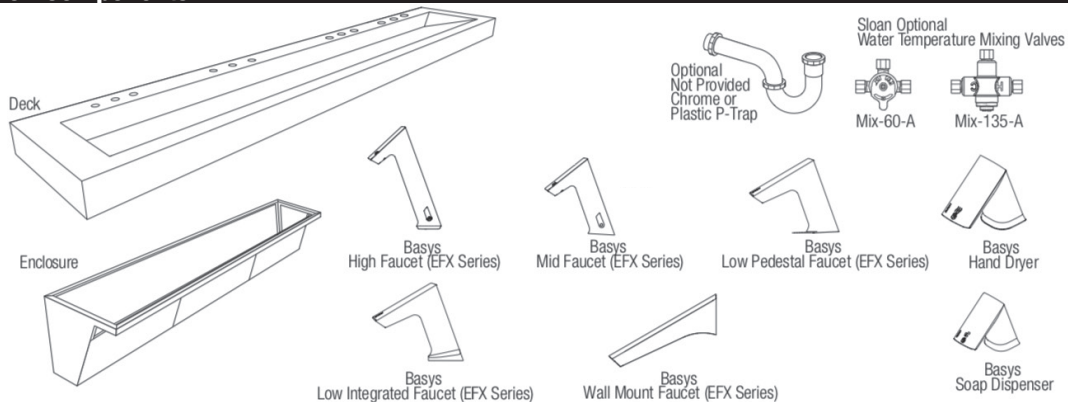
Description	Item Number	Quantity
AER-DEC®, Four Station, Integrated Deck	1	1
Angled Enclosure with Hold Open Door	2a	1
Vertical Enclosure with Hold Open Door	2b	1
EFX Series Faucet	3	4
Basys Style ESD 500 Soap Dispenser	4	4
Basys Style Hand Dryer	5	4
Hand Dryer Bracket	6	4

Note: Hand Dryer Motor must be rotated 90° for installation into a standard vertical enclosure.

AER-DEC® 81000/82000/83000/84000

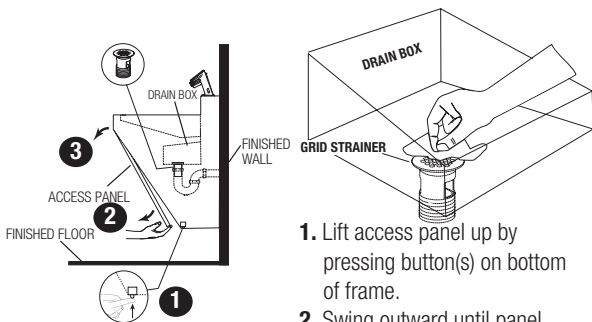
INTEGRATED SINK SYSTEM

4 Station Components



CLEANING AND MAINTENANCE

REGULAR CLEANING OF DRAIN BOX REQUIRED (if app.)



1. Lift access panel up by pressing button(s) on bottom of frame.
2. Swing outward until panel separates frame.
3. Lift and separate from frame.
4. Clean the box and the grid strainer with a rag and disinfectant containing bleach and dispose of properly.
5. Close access panel.