

Drop-In Countertop Lavatory Installation Instructions

Models

SS-3102 (1 Hole Centerset) / SS-3002 (3 Hole 4" Centerset) / SS-3802 (3 Hole 8" Centerset)

THE RIGHT CHOICE

We thank you for your purchase. Our products are 100% tested but should you have any questions, please contact us by phone or at our web site.

Model SS-3002 Shown



▲ WARNING: Any vitreous china can chip or break if the bolts or nuts are over-tightened or if mishandled.

BEFORE YOU START...

- Check all local plumbing and building codes.
- Check for any damage to the new lavatory sink before installation.

WHAT YOU WILL NEED...

- Putty knife
- Safety glasses
- Measuring tape
- Grease pencil
- Drill
- Sabre saw
- Tube cutter
- Hacksaw
- Channel lock pliers
- Basin wrench
- 10" adjustable wrench
- Phillips screwdriver
- Flathead screwdriver
- Plumbers putty
- Silicone sealant

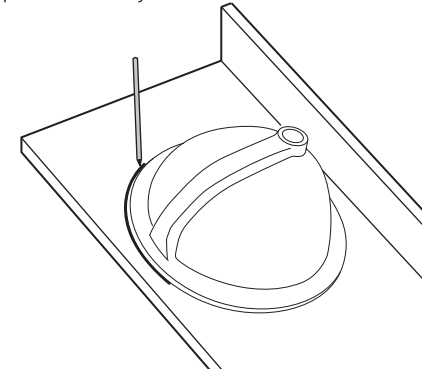
NEW INSTALLATIONS

1. PRIOR TO NEW INSTALLATION

- Determine appropriate location for the lavatory. Consider that hot and cold water supply lines with supply stops or a tempered water supply line with supply stop and a drain line will be required. A 120V electrical source (receptacle) may also be required. Compare the physical dimensions of the lavatory to the space available for the installation.

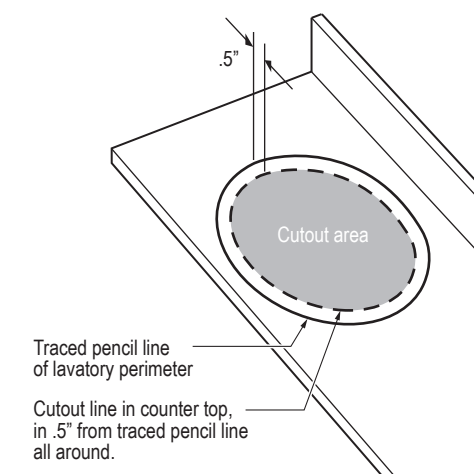
2. PREPARING THE COUNTERTOP

- Installation requires cutting a hole in the countertop. Use the lavatory as a guide.
- Position the lavatory upside down on the countertop and with a grease pencil, trace the lavatory outline onto the countertop.
- When positioning lavatory, be sure to align waste pipes with lavatory drain.



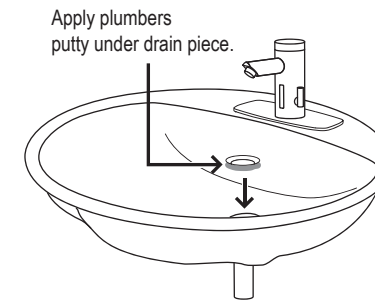
3. CUTTING THE COUNTERTOP

- Draw a line .5" inside the traced pencil line. This is the cutout line. Carefully cut opening in the countertop.
Note: It is highly recommended that the countertop hole be cut by a professional fabricator. When cutting marble, granite or solid surface materials, damage to the countertop may result from improper cutting.



4. MOUNTING THE FAUCET

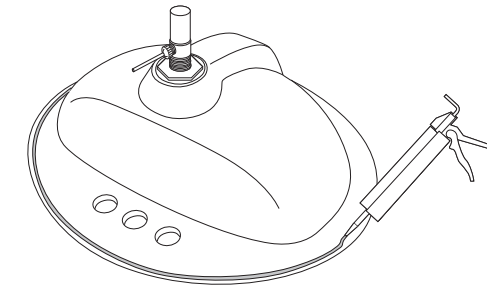
- Following the faucet manufacturers instructions mount the faucet and drain assemblies (not included) onto the lavatory.



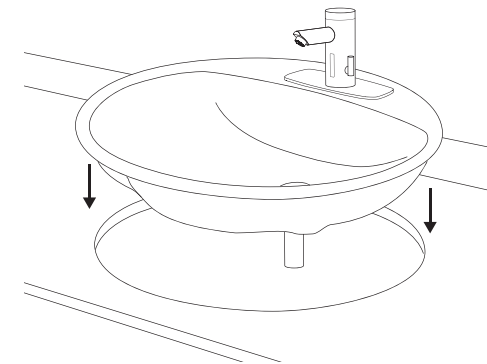
- Use plumbers putty on the underside of the drain to ensure a watertight seal as required. After tightening the drain assembly, remove excess putty that has squeezed out.

5. MOUNTING THE LAVATORY

- Place lavatory upside down and apply a continuous bead of sealant around perimeter of lavatory.



- Carefully align and lower the lavatory into place. Press evenly and firmly into position. Use a water dampened finger to smooth out any sealant around perimeter of lavatory. Allow sealant to set before connecting supply lines and waste pipes.



- Reconnect all supply lines and waste pipes.
- Turn on water. Check to see that the faucet and drain are operating properly and there are no leaks.
- Record lavatory model number for reference.

CARE AND CLEANING OF VITREOUS CHINA

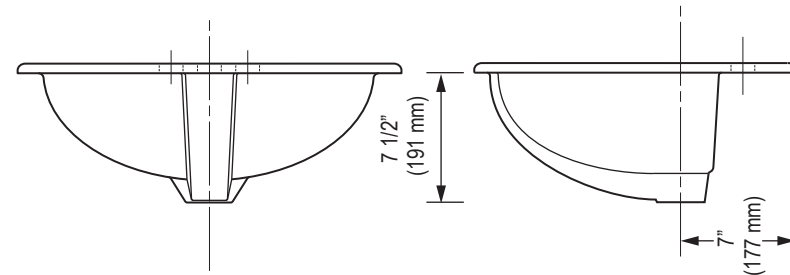
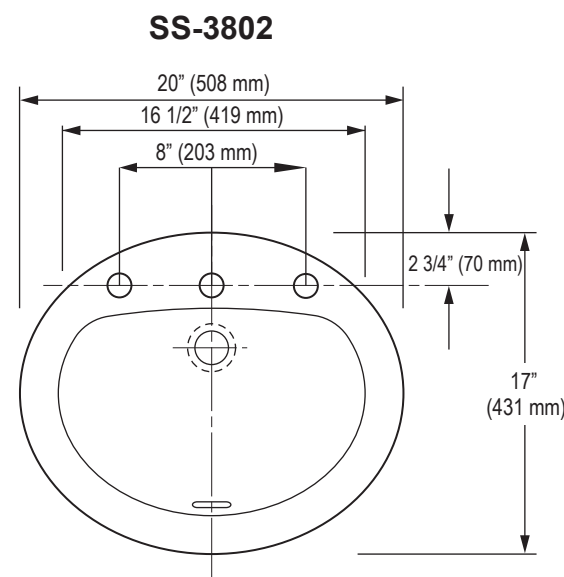
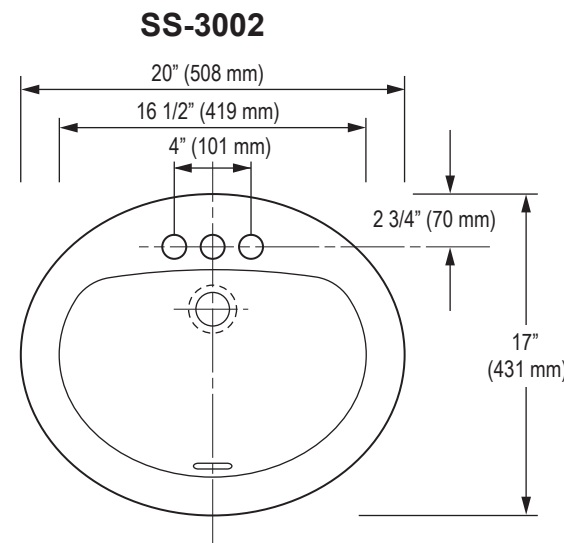
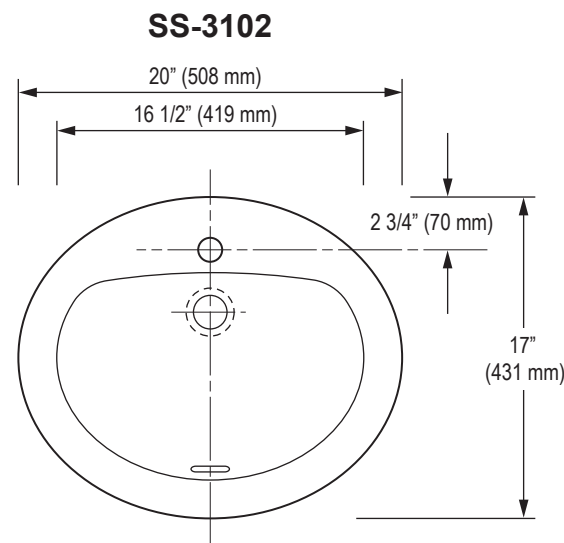
Clean lavatory with a cleaner safe for vitreous china. Spray and wipe clean using soft cloth. Soft abrasive cleaners may be used to remove stains.

LIMITED WARRANTY

Sloan Valve Company warrants its products to be made of first class materials, free from defects of material or workmanship under normal use and to perform the service for which they are intended in a thoroughly reliable and efficient manner when properly installed and serviced, for a period of three years (one year for special finishes) from date of purchase. During this period, Sloan Valve Company will, at its option, repair or replace any part or parts which prove to be thus defective if returned to Sloan Valve Company, at customer's cost, and this shall be the sole remedy available under this warranty. No claims will be allowed for labor, transportation or other incidental costs. This warranty extends only to persons or organizations who purchase Sloan Valve Company's products directly from Sloan Valve Company for purpose of resale.

THERE ARE NO WARRANTIES WHICH EXTEND BEYOND THE DESCRIPTION ON THE FACE HEREOF. IN NO EVENT IS SLOAN VALVE COMPANY RESPONSIBLE FOR ANY CONSEQUENTIAL DAMAGES OF ANY MEASURE WHATSOEVER.

NOTE: IN NO EVENT SHALL SLOAN VALVE COMPANY BE LIABLE FOR INCIDENTAL DAMAGES, RESULTING FROM IMPROPER INSTALLATION, OR FOR DAMAGES CAUSED BY NEGLIGENCE, ABUSE OR ALTERATION.



Important: Fixture dimensions are nominal and may vary slightly from drawings.

TO MAXIMIZE THE PERFORMANCE OF YOUR SLOAN LAVATORY, USE ONLY SLOAN FAUCETS

Model SS-3002 Lavatory shown in installation steps.

The information contained in this document is subject to change without notice.

SLOAN VALVE COMPANY

10500 Seymour Avenue
Franklin Park, IL 60131
Phone: 1-800-9-VALVE-9 (982-5839)
or 1-847-671-4300
Fax: 1-800-447-8329 or 1-847-671-4380
www.sloanvalve.com

Copyright © 2009 Sloan Valve Company
Code No. 0816412 Rev. 0a (10/09)