



Water Connects Us®

## DSVR-8000 Series

One/Two/Three/Four Station Solid Surface Lavatory Systems



**DSVR-81000**  
Single Station Designer Series  
Vessel Round



**DSVR-82000**  
Two Station Designer Series Vessel  
Round



**DSVR-83000**  
Three Station Designer Series Vessel  
Round



**DSVR-84000**  
Four Station Designer Series Vessel  
Round

### TOOLS REQUIRED FOR INSTALLATION OF SINKS

- Electric drill for drilling anchor holes
- Socket or open end wrench for installing anchoring fasteners
- Adhesive caulk for vanity or bracket mounting
- Adhesive for lavatory optional mounting
- Open end wrench for connecting water lines
- Pipe wrench for installing drain lines

### PRIOR TO INSTALLATION

#### Important:

- Prior to installing the Sloan Designer Series Lavatory system, install the items listed below. Also refer to the appropriate rough-in diagram.
- Hot and Cold water supply lines or tempered water supply lin
- Drain Lines

#### IMPORTANT

- **ADEQUATE STRUTURAL SUPPORT IN OR BEHIND THE WALL IS REQUIRED.**

- **ALL PLUMBING SHOULD BE INSTALLED IN ACCORDANCE WITH APPLICABLE CODES AND REGULATIONS..**
- **BEFORE CONNECTING FLEX HOSES TO SUPPLY STOPS, FLUSH ALL WATER LINES UNTIL WATER IS CLEAR.**

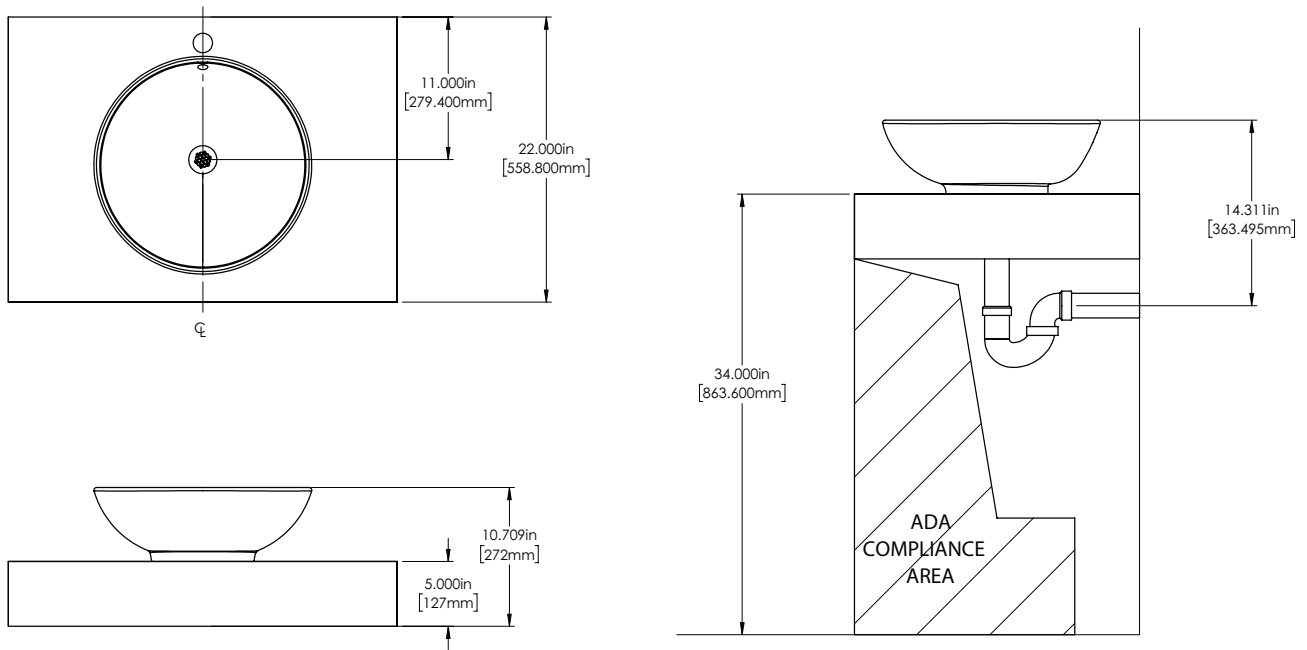
#### LIMITED WARRANTY

Unless otherwise noted, Sloan Valve Company warrants its Products to be made of first class materials, free from defects of material or workmanship under normal use and to perform the service for which they are intended in a thoroughly reliable and efficient manner when properly installed and serviced, for a period of three years (1 year for SF Faucets, special finishes and PWT electronics and 30 days on PWT software) from date of purchase. During this period, Sloan Valve Company will, at its option, repair or replace any part or parts which prove to be thus defective if returned to Sloan Valve Company, at customer's cost, and this shall be the sole remedy available under this warranty. No claims will be allowed for labor, transportation or other incidental costs. This warranty extends only to persons or organizations who purchase Sloan Valve Company's products directly from Sloan Valve Company for purpose of resale. This warranty does not cover the life of the batteries.

**THERE ARE NO WARRANTIES WHICH EXTEND BEYOND THE DESCRIPTION ON THE FACE HEREOF. IN NO EVENT IS SLOAN VALVE COMPANY RESPONSIBLE FOR ANY CONSEQUENTIAL DAMAGES OF ANY MEASURE WHATSOEVER.**

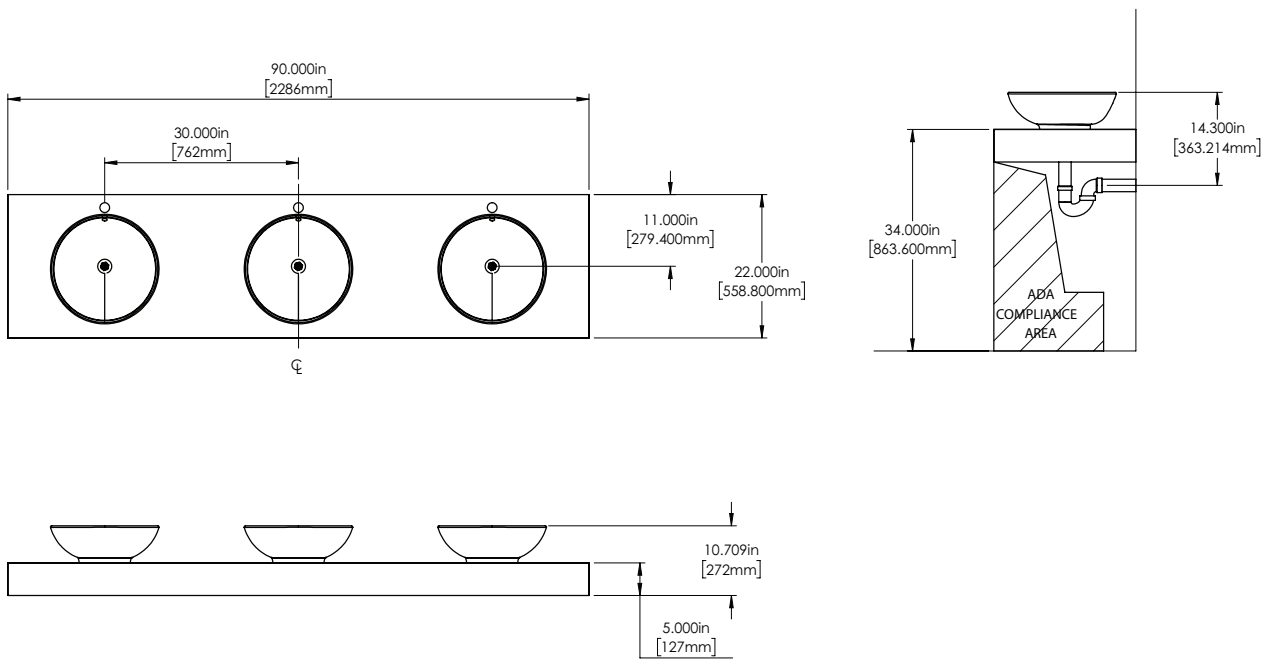
## LAVATORY SYSTEM ROUGH-IN SINGLE STATION

### One Station Designer Series Vessel Round



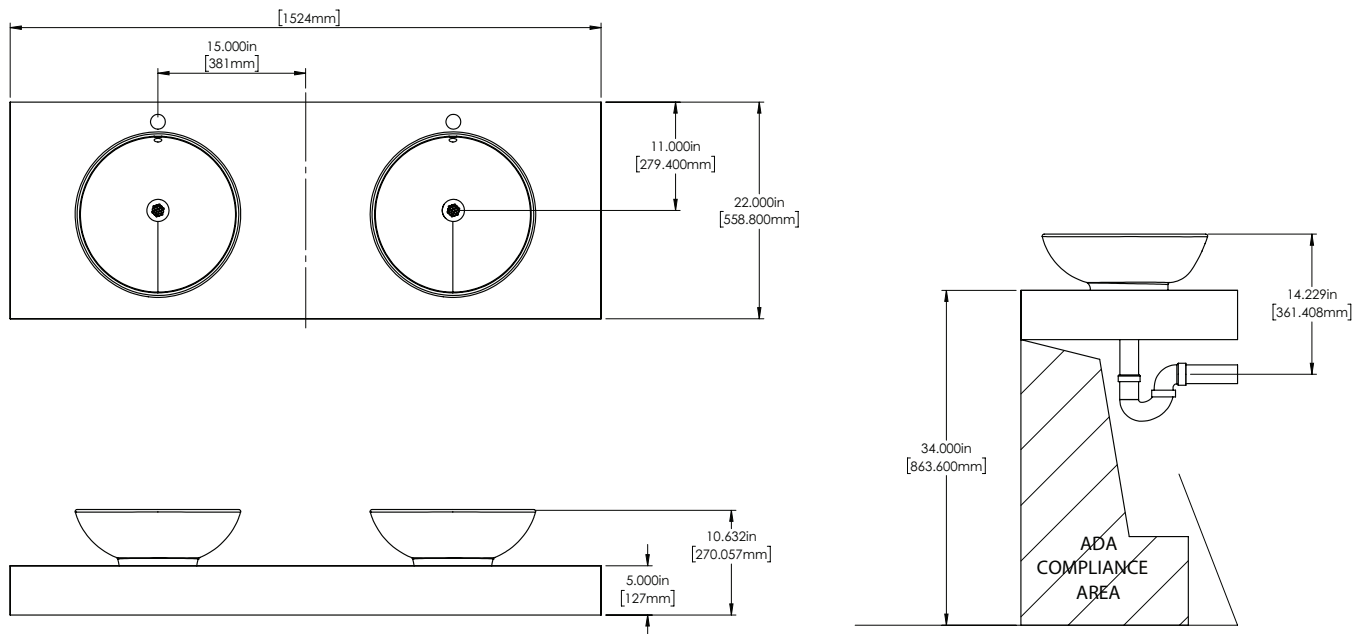
## LAVATORY SYSTEM ROUGH-IN TWO STATION

### Three Station Designer Series Vessel Round



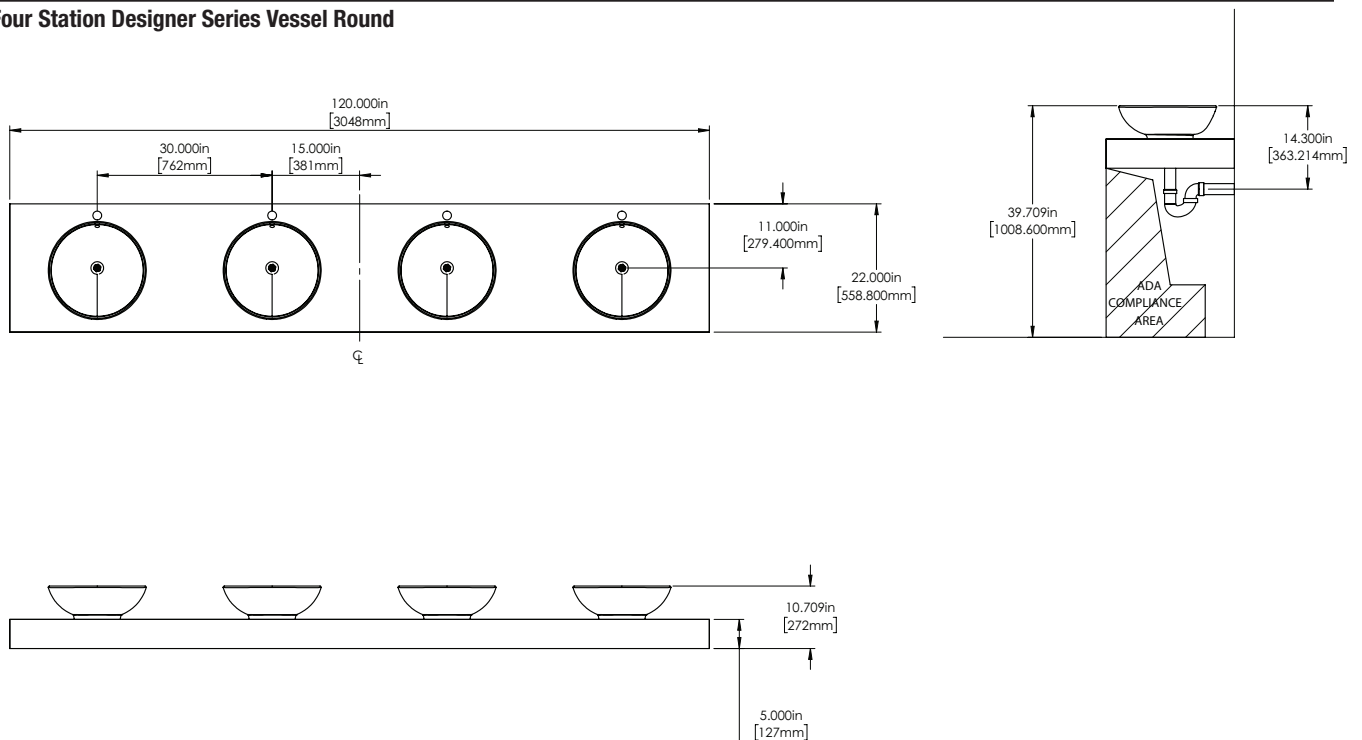
## LAVATORY SYSTEM ROUGH-IN THREE STATION

### Two Station Designer Series Vessel Round



## LAVATORY SYSTEM ROUGH-IN FOUR STATION

### Four Station Designer Series Vessel Round



## SINK LOCATION

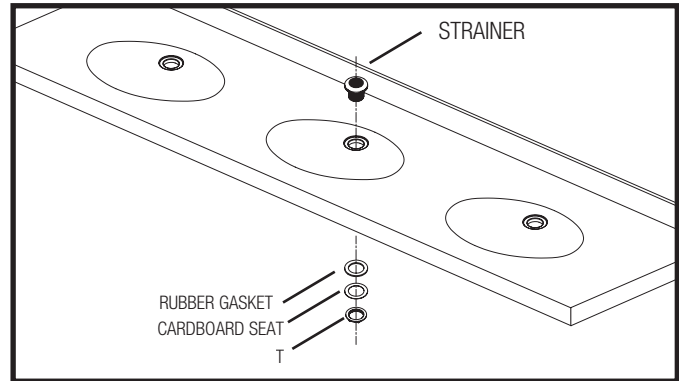
Determine the appropriate wall location for the Lavatory System. Consider that hot and cold water supply lines, a drain line, and an electrical source (receptacle for hardwired faucets) will be required. Compare the physical dimensions of the Lavatory System to the space available for the installation. If wall is not load bearing, a carrier may be required behind the wall. Refer to the appropriate Rough-in diagram on pages 2 – 3 for Lavatory System dimensions. Prior to Lavatory System installation, electric wiring, water supply and drain must be installed.

## SINK COUNTERTOP INSTALLATION

Place the countertop on the mounting structure. Follow instructions of the silicone adhesive for amount, area and time needed to apply bowl to countertop. Add silicone adhesive to the bottom of the vitreous china lavatory. Line up the hole for the drain on the lavatory and countertop. Press firmly on the bowl to verify adhesive has connected the bowl to the countertop. Once the bowl is connected to the countertop insert the strainer

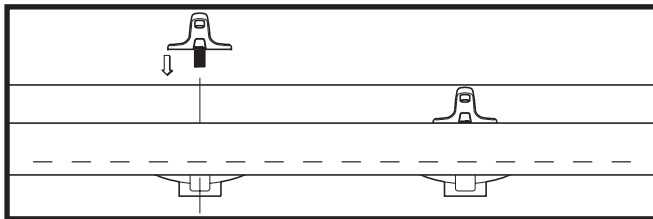
### 1- STRAINER INSTALLATION

- A** Insert Strainer into Basin using plumbers putty (supplied by installer).
- B** From beneath Basin, install the Rubber Gasket, Cardboard Seat and Drain Nut onto Strainer. Secure Drain Nut against Basin.



### 2- INSTALL FAUCET, SENSOR, DRAIN AND WATER LINE CONNECTIONS

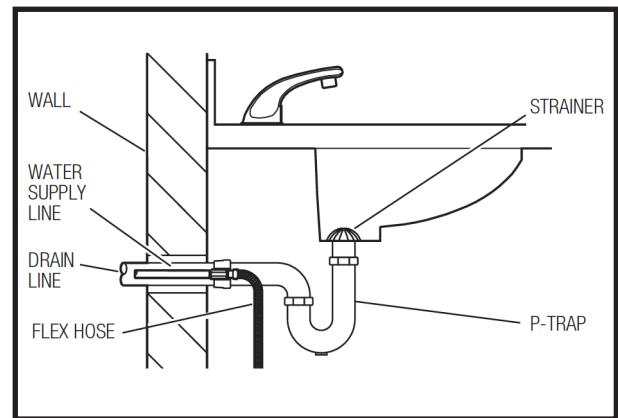
- A** Install faucet, sensor, and water line connections as instructed in the installation instructions furnished with the Faucet.



- B** Install P-trap and drain lines making sure that all connections are secure.

Note: P-trap and drain lines furnished by others.

- C** Flush supply line(s) of any debris. Install Flex Hose(s) to water supply line(s). Tighten fitting(s) securely.

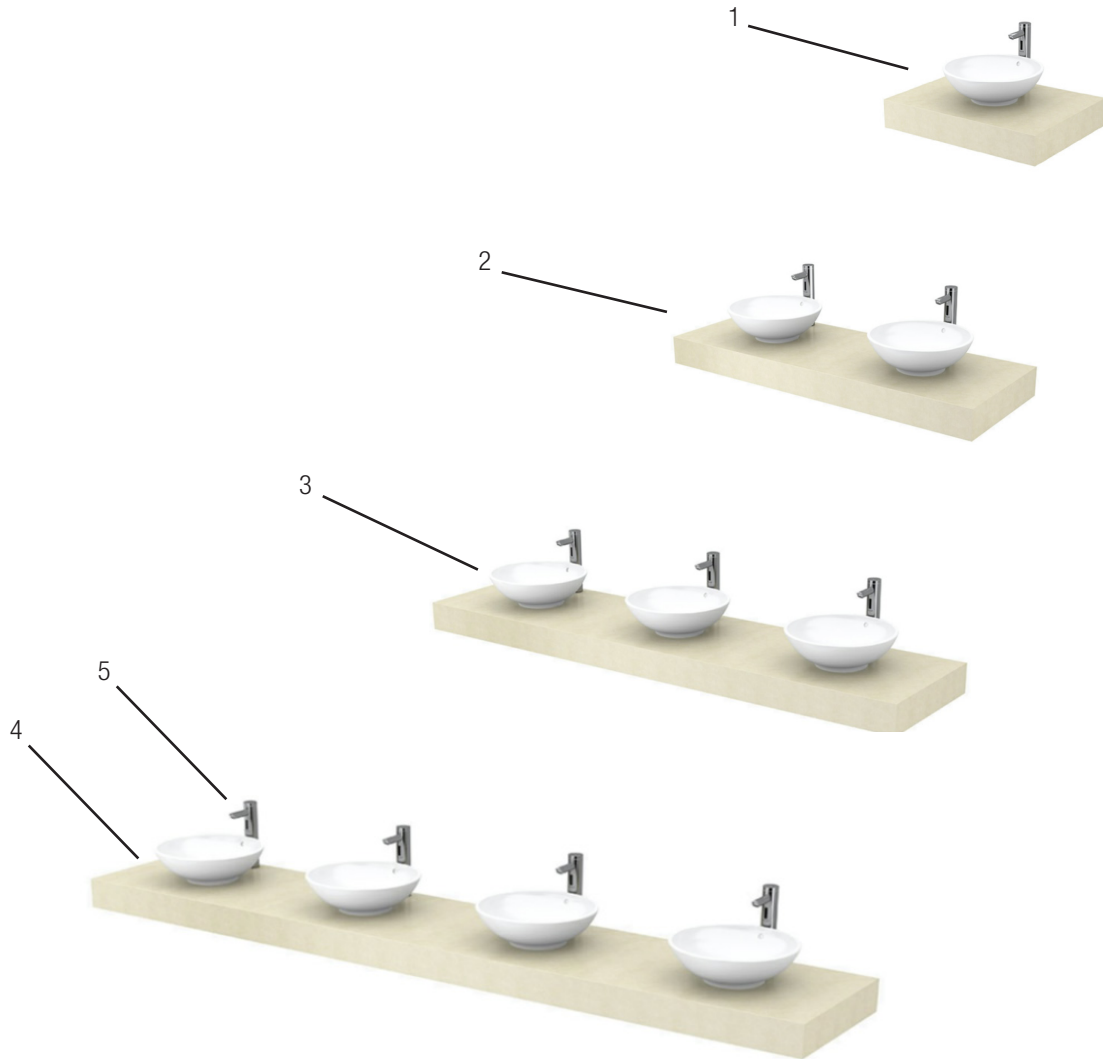


### CARE AND CLEANING

**DO NOT USE** abrasive or chemical cleaners (including chlorine bleach) to clean lavatory deck or faucets that may dull the luster and attack the finish. Use **ONLY** soap and water, then wipe dry with clean cloth or towel.

While cleaning the sink area, protect the faucet from any splattering of cleaner. Acids and cleaning fluids will discolor or remove chrome plating.

# PARTS LIST



Item No.	Description
1	DSVR-81000 Deck (single)
2	DSVR-82000 Deck (double)
3	DSVR-83000 Deck (triple)
4	DSVR-84000 Deck (Quadruple)
5	Sloan Faucet (model varies)
6	Grid Strainer Assembly (not Shown)

NOTICE:  
The information contained in this document is subject to change without notice.

**SLOAN • 10500 SEYMOUR AVENUE • FRANKLIN PARK, IL 60131**

Phone: 1-800-9-VALVE-9 or 1-847-671-4300 • Fax: 1-800-447-8329 or 1-847-671-4380 • [www.sloan.com](http://www.sloan.com)

COPYRIGHT © 2016 SLOAN VALVE COMPANY

Code No. 0816224- Rev. 1 (11/16)