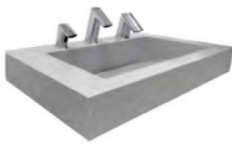


AER-DEC® 81000/82000/83000/84000
INTEGRATED SINK SYSTEM



AD-81000
Deck Sink Lavatory System



AD-82000
Deck Sink Lavatory System

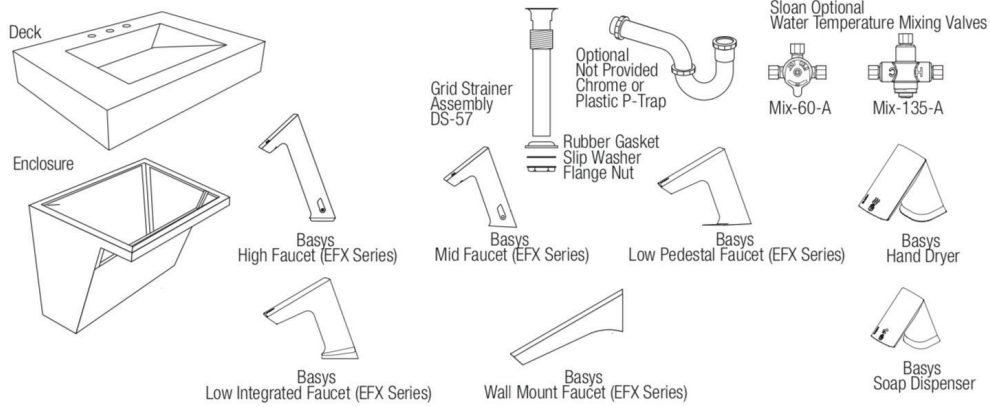


AD-83000
Deck Sink Lavatory System

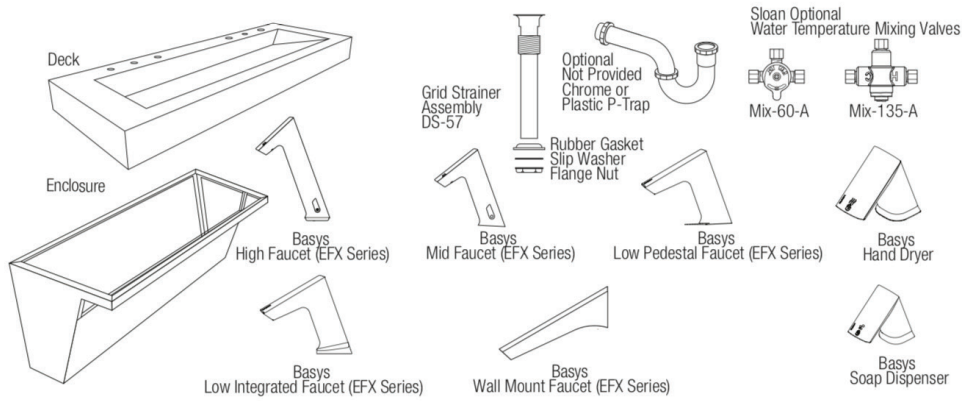


AD-84000
Deck Sink Lavatory System

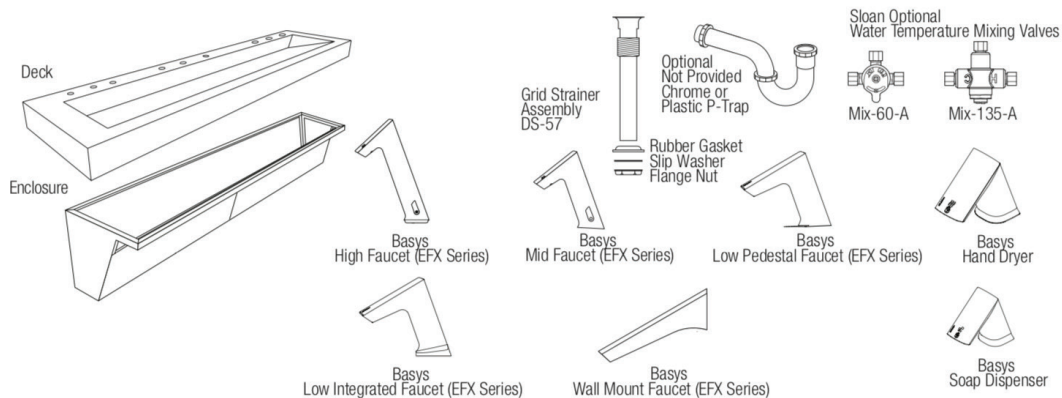
1 Station Components



2 Station Components



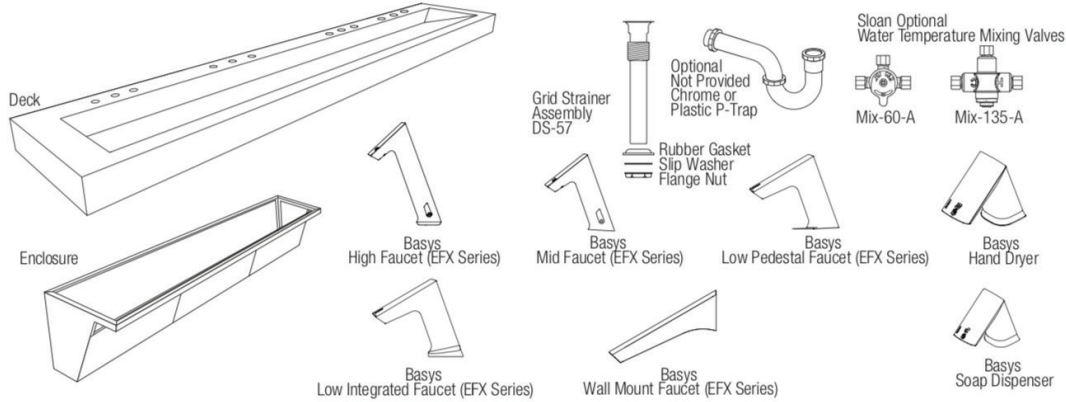
3 Station Components



AER-DEC® 81000/82000/83000/84000

INTEGRATED SINK SYSTEM

4 Station Components



CLEANING AND MAINTENANCE

Material Description: Corian Material is made from a blend of acrylic modified bio-based polyester resin. Engineered Stone is 90% natural quartz and polyester resin and is resistant to chemicals, stains, burns and impact. Surface damage can be easily repaired with everyday cleansers or fine grit abrasives.

Routine Cleaning: For regular cleaning, use standard commercial or household products such as Simple Green®, Creamy Cleanser brand, Formula 409® or Windex®.

Stubborn Stains: Remove tough stains, with non abrasive cleaners and pads such as a white Scotch Brite® pad and Lysol®. Special Situations for Corian and Engineered Stone

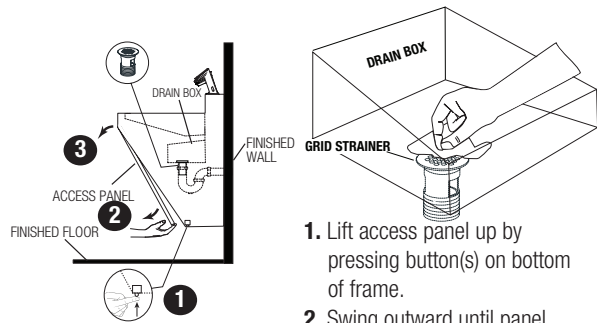
Hard Water Deposits: Remove hard water deposits with a mild solution of vinegar and water. Always rinse the unit thoroughly after cleaning.

Repair Kits: Corian repair kits are available. Contact your Sloan Sink Systems representative or distributor for part numbers and pricing. Repair kits are made to order and have a shelf life of 30 days. Engineered Stone shades of color can vary from product to product.

BRAND NAMES

Use of brand names is intended only to indicate a type of cleaner. This does not constitute an endorsement, nor does the omission of any brand name cleaner imply inadequacy. Many products named are regional in distribution, and can be found in local supermarkets, department and hardware stores, or through your cleaning service. It is emphasized that all products should be used in strict accordance with package instructions.

REGULAR CLEANING OF DRAIN BOX REQUIRED (if app.)



1. Lift access panel up by pressing button(s) on bottom of frame.
2. Swing outward until panel separates frame.
3. Lift and separate from frame.
4. Clean the box and the grid strainer with a rag and disinfectant containing bleach and dispose of properly.
5. Close access panel.