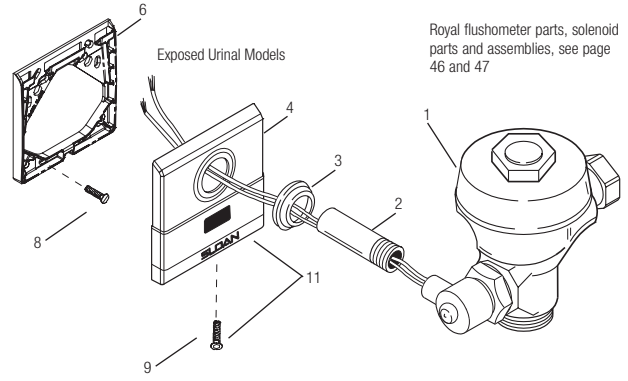
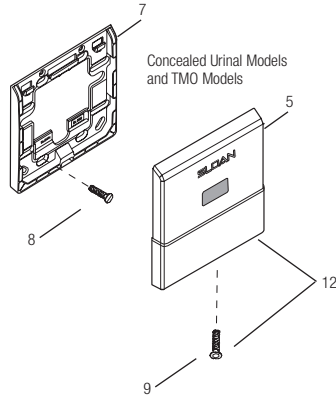


Optima® Flushometers

Current style Royal® (after 09/26/10)



OPTIMA®



CURRENT COVER AND MOUNTING PLATE PARTS FOR ROYAL® URINAL FLUSHOMETER

Item No.	Code No.	Part No.	Description
1.	‡		Solenoid Activated Valve Assembly
2.	0306249PK	F-15	Tail Assembly 3/4" x 6"
3.	0345150	EL-431-A	Flange Assembly
4.	3305100	EL-640-A	CP Cover Plate with Sensor and Mounting Hardware Assembled (Exposed Models) (includes EL-549 mounting plate)
5.	3305101	EL-645-A	CP Cover Plate with Sensor Assembled (Concealed Models) (includes EL-592 Mounting Plate)
6.	0305251PK	EL-549-A	Exposed Urinal Mounting Plate Kit

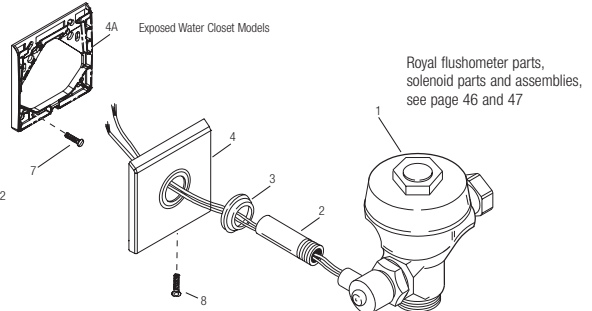
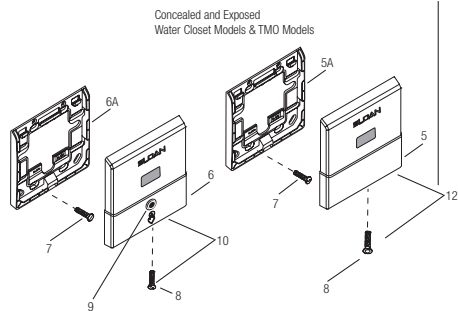
Item No.	Code No.	Part No.	Description
7.	0305292PK	EL-592-A	Concealed Urinal Mounting Plate Kit
8.	—		Screws (Flat Head Slotted #6/32)
9.	5305100	EL-674	Wall Plate Screw Kit (#6-32 x 15.87mm)
†	3305620	EL-1500	Urinal Sensor Replacement (Exposed and Concealed Models, not shown)

† NOTE: For exposed & concealed solenoids manufactured before 2003 or not shown here, consult factory for individual part assembly.

‡ Part number varies with valve model variation; consult factory.



OPTIMA®



CURRENT COVER AND MOUNTING PLATE PARTS FOR ROYAL® CLOSET FLUSHOMETER

Item No.	Code No.	Part No.	Description
1.	‡		Solenoid Activated Valve Assembly
2.	0306249PK	F-15	Tail Assembly†
3.	0345150	EL-431-A	Flange Assembly
4.	3305105	EL-625-A	CP Cover Plate with Mounting Hardware (Closet only) (includes EL-549 mounting plate)
4A.	0305251PK	EL-549	Exposed Closet Mounting Plate
5.	3305107	EL-635-A	Concealed CP TMO Cover Plate with Sensor (includes Mounting Kit)
5A.	0305292PK	EL-592	Concealed Closet TMO Mounting Plate

Item No.	Code No.	Part No.	Description
6.	3305104	EL-595-A	CP Cover Plate with Sensor and Override Switch Assembled (Closet only) Exposed ES-S
6A.	0305292PK	EL-592	Exposed & Concealed Closet Mounting Plate
7.	—		Screws (Flat Head Slotted #6/32)
†	3305621	EL-1500-L	Closet Sensor Replacement Kit (Closet only, not shown)
	3345095	EL-1034-A	Button Assembly Repair Kit
8.	5305100	EL-674	Wall Plate Screw Kit (#6-32 x 15.87mm) (6 per kit)
9.	3345095	EL-1034-A	ESS Override Repair Kit for EL-595-A

PLATES ONLY

Item No.	Code No.	Part No.	Description
10.	3345090	EL-1030-A	Plate Assembly Only w/ Set Screw*
11.	3345091	EL-1031-A	Plate Assembly Only w/ Set Screw*
12.	3345092	EL-1032-A	Plate Assembly Only w/ Set Screw*

† NOTE: For exposed & concealed solenoids manufactured before 2003 or not shown here, consult factory for individual part assembly.

‡ Part number varies with valve model variation; consult factory.

* Mounting plates do not include sensor.

Sensor Flushometers