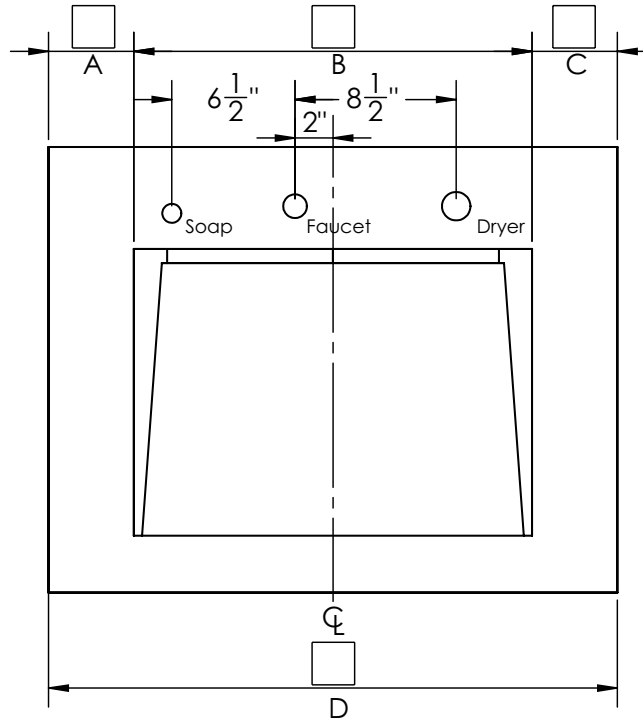


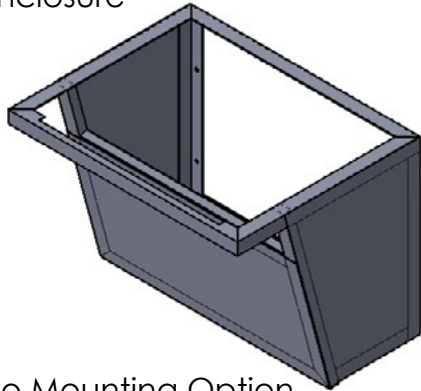
**AER-DEC™
AD-81000**

Sink Location
Alcove



AER-DEC™ Plan View Scale: 1:8
Mounting Option

Enclosure



No Mounting Option
(provided by others)

Standard Size

Custom Size

Dimensions	
Standard	Custom
A	4 1/2"
B	21"
C	4 1/2"
D	30"

A
+
B
+
C
=
D

*A+B+C=D

Standard Sizes

Custom Size

Standard Sizes		Custom
Soap Hole	1"	
Faucet Hole	1 1/4"	
Apron	5"	

LOCATION/SIZE NOTES

AER-DEC™ AD-81000

PROJECT INFORMATION

Architect/Designer

Project Name

Email

Phone

State

Location Details

Sloan Representative

Cloud for Sales ID #

SINK INFORMATION

Sink Quantity

Faucet Quantity (per sink)

Soap Dispenser Quantity (per sink)

[Sloan Faucet Model Type](#)

Sloan Faucet Code

Sloan Soap Dispenser Model

LED

Faucet Hole Size (If Non Sloan)

Soap Dispenser Hole Size (If Non Sloan)

[Laminate Color](#)

Enclosure Options

[Corian® Color](#)

Bag Hooks

Notes

[Zodiaq® Color](#)

Edge Type

[Silestone® Color**](#)

Drawing Requested?

If alternative color option please specify in notes box

Approval Signature

Approvers Title

Date (mm/dd/yyyy)

INTERNAL USE ONLY

Internal Sloan Representative

Shipping Lead Time*

Compliance Notes

Quote Number

List Price \$ (Good for 60 Days)

Notes

*Lead Time Starts upon Sloan's receipt of order - Note: Changes to Drawings after sign off may extend lead time

**Any Corian sinks longer than 120 inches will need to be seamed on site, any Quartz sinks over 119 inches will need to be seamed on site. Quartz materials that are seamed will have a visible seam.