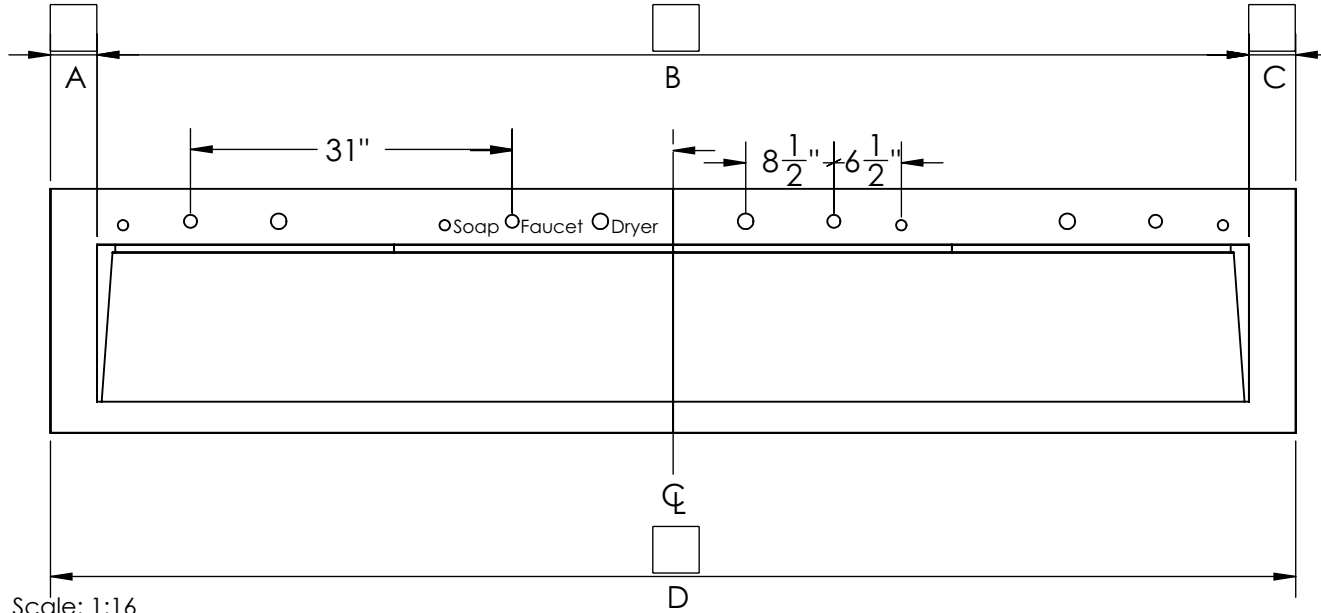


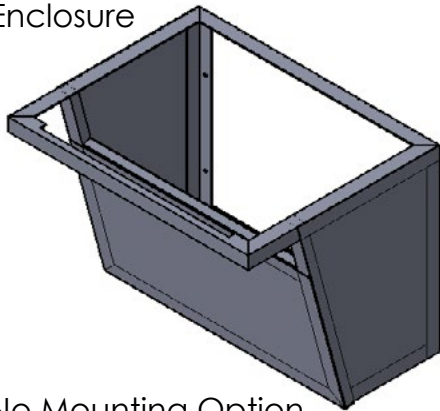
**AER-DEC™
AD-84000**

Sink Location
Alcove



Mounting Option

Enclosure



No Mounting Option
(provided by others)

Standard Size
Custom Size

Dimensions	
Standard	Custom
A + B	4 1/2"
B + C	111"
A + C	4 1/2"
D	120"

*A+B+C=D

Standard Sizes
Custom Size

Standard Sizes		Custom
Soap Hole	1"	
Faucet Hole	1 1/4"	
Apron	5"	

LOCATION/SIZE NOTES

AER-DEC™ AD-84000

PROJECT INFORMATION

Architect/Designer	Project Name	Email	Phone
State	Location Details	Sloan Representative	Cloud for Sales ID #

SINK INFORMATION

Sink Quantity	Faucet Quantity (per sink)	Soap Dispenser Quantity (per sink)
Sloan Faucet Model Type	Sloan Faucet Code	Sloan Soap Dispenser Model
LED	Faucet Hole Size (If Non Sloan)	Soap Dispenser Hole Size (If Non Sloan)
	Laminate Color	Enclosure Options
Corian® Color	Bag Hooks	Notes
Zodiaq® Color	Edge Type	
Silestone® Color**	Drawing Requested?	

If alternative color option please specify in notes box

Approval Signature	Approvers Title	Date (mm/dd/yyyy)
--------------------	-----------------	-------------------

INTERNAL USE ONLY

Internal Sloan Representative

Shipping Lead Time*

Compliance Notes

Quote Number

List Price \$ (Good for 60 Days)

Notes

*Lead Time Starts upon Sloan's receipt of order - Note: Changes to Drawings after sign off may extend lead time

**Any Corian sinks longer than 120 inches will need to be seamed on site, any Quartz sinks over 119 inches will need to be seamed on site. Quartz materials that are seamed will have a visible seam.