

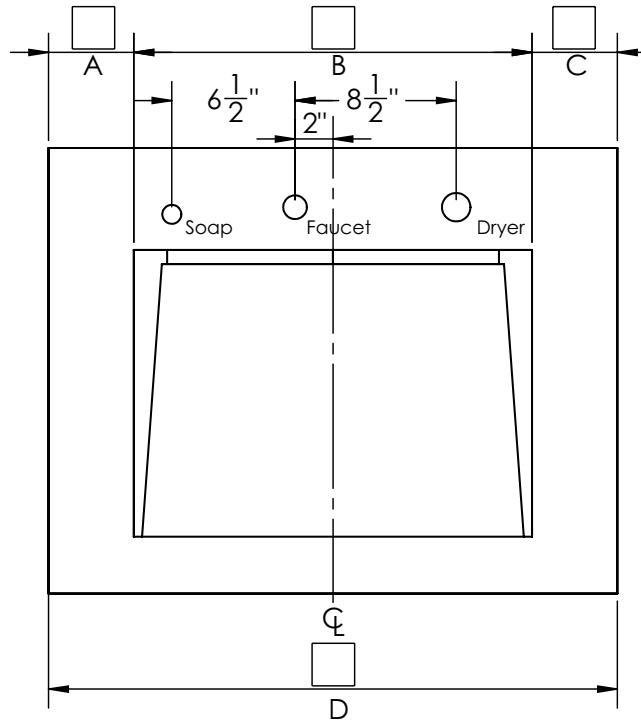
**AER-DEC™
AD-81000**



Standard Size

Custom Size

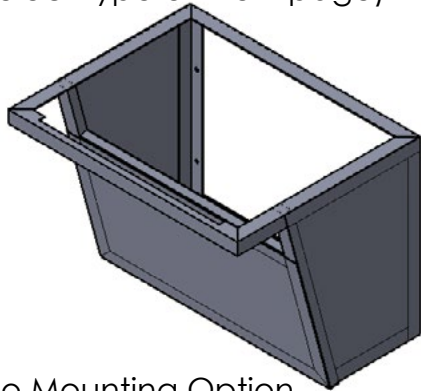
Sink Location
Alcove



AER-DEC™ Plan View Scale: 1:8

Mounting Option

Enclosure
(select type on next page)



No Mounting Option
(provided by others)

Dimensions	
Standard	Custom
A + B	4 1/2"
B + C	21"
A + C	4 1/2"
D	30"

*A+B+C=D

Standard Sizes

Custom Size

Standard Sizes		Custom
Soap Hole	1"	
Faucet Hole	1 1/4"	
Apron	5"	

Notes

AER-DEC™ AD-81000



PROJECT INFORMATION

Architect/Designer

Project Name

Email

Phone

Province

Location Details

Sloan Representative

Cloud for Sales ID #

SINK INFORMATION

Sink Quantity

Faucet Quantity (per sink)

Soap Dispenser Quantity (per sink)

[Sloan Faucet Model Type](#)

Sloan Faucet Code

Sloan Soap Dispenser Model

LED

Faucet Hole Size (If Non Sloan)

Soap Dispenser Hole Size (If Non Sloan)

Enclosure Type

Laminate Color

[Corian® Color](#)

Drawing Requested?

Notes

[Zodiaq® Color](#)

[Silestone® Color**](#)

If alternative color option please
specify in notes box

Approval Signature

Approvers Title

Date (mm/dd/yyyy)

INTERNAL USE ONLY

Internal Sloan Representative

Shipping Lead Time*

Compliance Notes

Quote Number

List Price \$ (Good for 60 Days)

Notes

*Lead Time Starts upon Sloan's receipt of order - Note: Changes to Drawings after sign off may extend lead time

**Any Corian sinks longer than 120 inches will need to be seamed on site, any Quartz sinks over 119 inches will need to be seamed on site. Quartz materials that are seamed will have a visible seam.