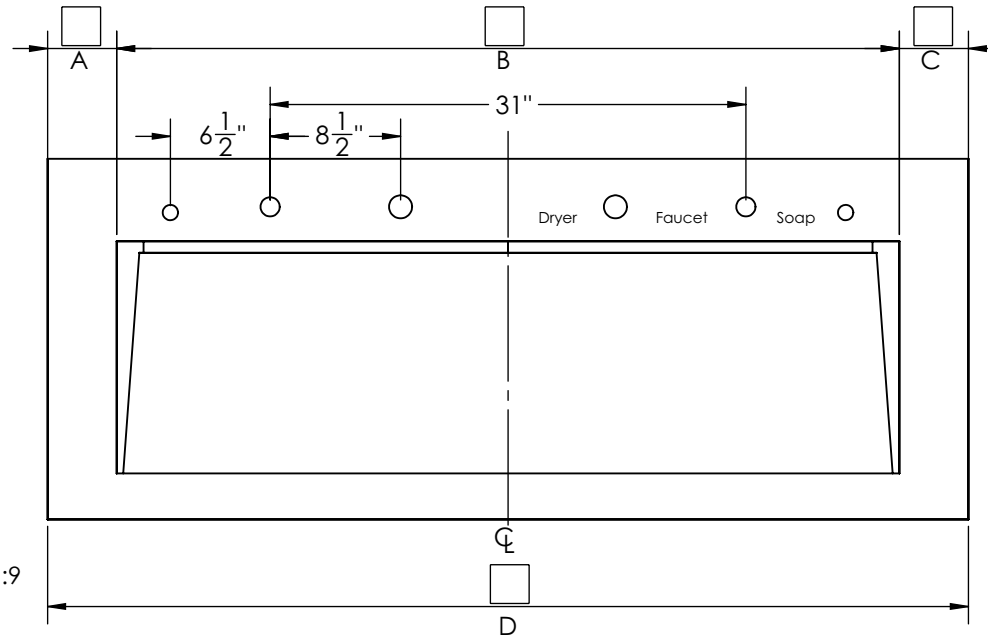




Standard Size

Custom Size

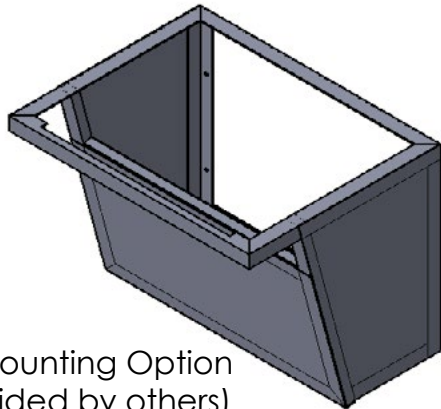
Sink Location  
Alcove



AER-DEC™ Plan View Scale: 1:9

**Mounting Option**

Enclosure  
(select type on next page)



No Mounting Option  
(provided by others)

A  
+  
B  
+  
C  
=  
D

Dimensions	
Standard	Custom
4 1/2"	
51"	
4 1/2"	
60"	

\*A+B+C=D

Standard Sizes

Custom Size

Standard Sizes	Custom
Soap Hole	1"
Faucet Hole	1 1/4"
Apron	5"

**Notes**

# AER-DEC™ AD-82000



## PROJECT INFORMATION

Architect/Designer	Project Name	Email	Phone
Province	Location Details	Sloan Representative	Cloud for Sales ID #

## SINK INFORMATION

Sink Quantity	Faucet Quantity (per sink)	Soap Dispenser Quantity (per sink)
<a href="#">Sloan Faucet Model Type</a>	Sloan Faucet Code	Sloan Soap Dispenser Model
LED	Faucet Hole Size (If Non Sloan)	Soap Dispenser Hole Size (If Non Sloan)
Enclosure Type	Laminate Color	

## INTERNAL USE ONLY

Internal Sloan Representative

Shipping Lead Time\*

Compliance Notes

Quote Number

List Price \$ (Good for 60 Days)

[Corian® Color](#)

Drawing Requested?

Notes

[Zodiaq® Color](#)

[Silestone® Color\\*\\*](#)

Notes

If alternative color option please specify in notes box

Approval Signature

Approvers Title

Date (mm/dd/yyyy)

\*Lead Time Starts upon Sloan's receipt of order - Note: Changes to Drawings after sign off may extend lead time

\*\*Any Corian sinks longer than 120 inches will need to be seamed on site, any Quartz sinks over 119 inches will need to be seamed on site. Quartz materials that are seamed will have a visible seam.