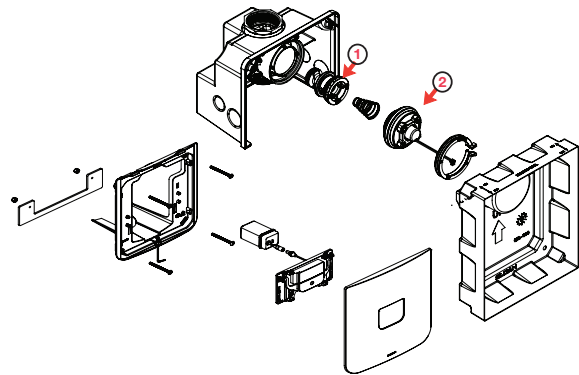


CX Hardwired/Battery Flushometers

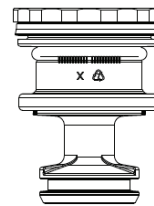
REPAIR ITEMS

Item No.	Part No.	Description
1	See Table	Piston Assembly
2	See Table	Activation Assembly



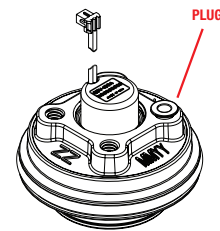
PISTON ASSEMBLY SELECTION GUIDE

Code No.	Description	Piston Color*
3340053	1.6 gpf/6.0 Lpf closet piston assembly	Green
3340054	1.28 gpf/4.8 Lpf closet piston assembly	Purple
3340055	0.5 gpf/1.9 Lpf urinal piston assembly	Red
3340056	0.25 gpf/1.0 Lpf urinal piston assembly	Burgundy



ACTIVATION ASSEMBLY SELECTION GUIDE

Code No.	Description	Plug Color*
3340057	1.6 gpf/6.0 Lpf closet activation assembly	Green
3340058	1.28 gpf/4.8 Lpf closet activation assembly	Purple
3340059	0.5 gpf/1.9 Lpf urinal activation assembly	Red
3340060	0.25 gpf/1.0 Lpf urinal activation assembly	Burgundy



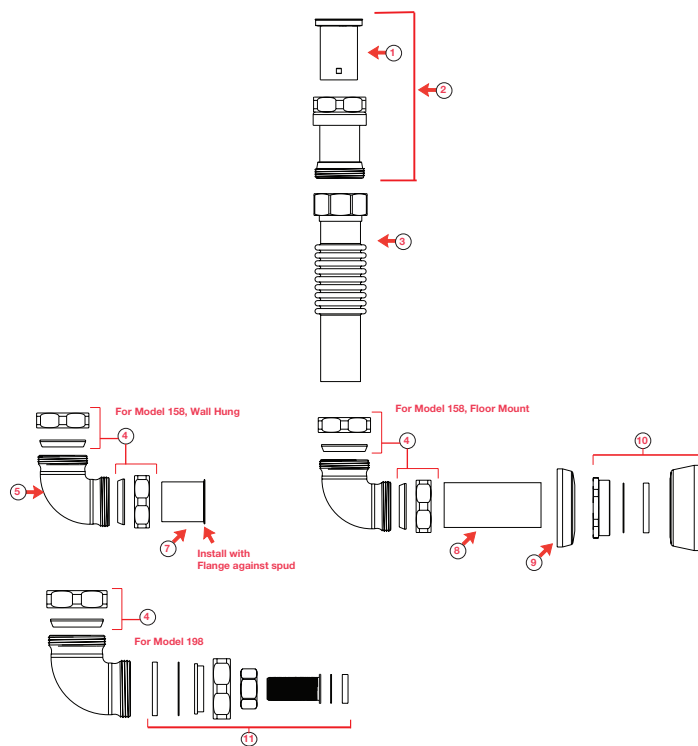
* Colors may differ. Consult factory to confirm you have the correct piston assembly.

FLUSH CONNECTION PARTS

Item	Code No.	Description
1	0323182	V-651 Vacuum Breaker
2	0323279	Short Vacuum Breaker Tube
3	0306394	Adjustable Tube
4	0306395	Poly Washer Coupling (set of two)
5	0306392PK	Elbow
6	3306002	1-1/2" Coupling with S-21 Gasket
7	0306031PO	1 1/2" (38 mm) Flanged outlet tube RB, 6"
8	0396669PK	F-102 1-1/2" (38 mm) Outlet Tube CP 8"
9	0306238PK	F-7 Flange CP*
10	0306146PK	F-5-A 1-1/2" Spud Coupling Assembly CP*
11	0306396	Urinal Connection

* Consult factory for alternate finish options

Manufactured in the U.S.A by Sloan Valve Company under one or more of the following patents: U.S. Patents. 5,295,655; 5,542,718; 5,558,120; 5,564,460; 5,730,415; 5,865,420; 5,887,848; 5,967,182. Other Patents Pending.
Bak-Chek®, Para-flo®, PERMEX®, Turbo-Flo®



CX Hardwired/Battery Flushometers

TROUBLESHOOTING

A. Sensor Flashes Continuously Only When User Steps Within Range.

- i. Unit in Start-Up mode; no problem. This feature is active for the first ten (10) minutes of operation.

B. Valve Does Not Flush; Sensor Not Picking Up User.

- i. Range too short; increase the range.

C. Valve Does Not Flush; Sensor Picking Up Opposite Wall or Surface, or Only Flushes When Someone Walks By. Red Light Flashes Continuously for First 10 Minutes Even with No One in Front of the Sensor.

- i. Range too long; shorten range.

D. Valve Does Not Flush Even After Adjustment.

- i. Ensure water supply to valve is turned on.
- ii. Activation Assembly sleeve is in closed position. Turn counterclockwise to open water flow.
- iii. Batteries completely used up; replace batteries.
- iv. Problem with activation assembly; replace activation assembly.
- v. Problem with Sensor Assembly; replace Sensor Assembly.

E. Red Light Blinks four (4) Times When User Steps Within Range (Battery Only).

- i. Batteries low; replace batteries.

F. Red Light Blinks four (4) Times When User Steps Within Range (Hardwire and Battery).

- i. Battery box not connected; connect battery box to sensor assembly.
- ii. Batteries low; replace batteries.

G. Valve Does Not Shut off.

- i. Metering bypass hole in piston is clogged. Remove the piston O-ring from groove and wash under clean running water. Replace piston if cleaning does not correct the problem.
- ii. Supply line water pressure has dropped and is not sufficient to close the valve. Close Activation Assembly until pressure is restored.
- iii. Piston is damaged. Replace with new proper gpf/Lpf piston.

H. Too much water to Fixture.

- i. Activation Assembly not adjusted properly. Readjust Activation Assembly.
- ii. Piston is damaged. Replace with new proper gpf/Lpf piston
- iii. Wrong CX model installed; i.e., 1.6 gpf. model installed on 0.5 gpf/1.9 Lpf or 0.25 gpf/1.0 Lpf urinal fixture. Replace with proper CX model per guide.

I. Not enough water to Fixture.

- i. Activation Assembly not adjusted properly. Readjust Activation Assembly by turning counterclockwise.
- ii. Wrong CX model installed; i.e. 0.5 gpf. urinal installed on 1.6 gal. closet fixture. Replace with proper CX model.
- iii. Water supply pressure is inadequate (low). Increase the water supply pressure. Contact the fixture manufacturer for minimum water supply requirements of the fixture.

J. Chattering noise is heard during flush.

- i. Reduce flow pressure by turning Activation Assembly.

CARE AND CLEANING

DO NOT use abrasive or chemical cleaners (including chlorine bleach) to clean Flushometers that may dull the luster and attack the chrome or special decorative finishes. Use **ONLY** mild soap and water, then wipe dry with clean cloth or towel. While cleaning the bathroom tile, protect the Flushometer from any splattering of cleaner. Acids and cleaning fluids will discolor or remove chrome plating.

