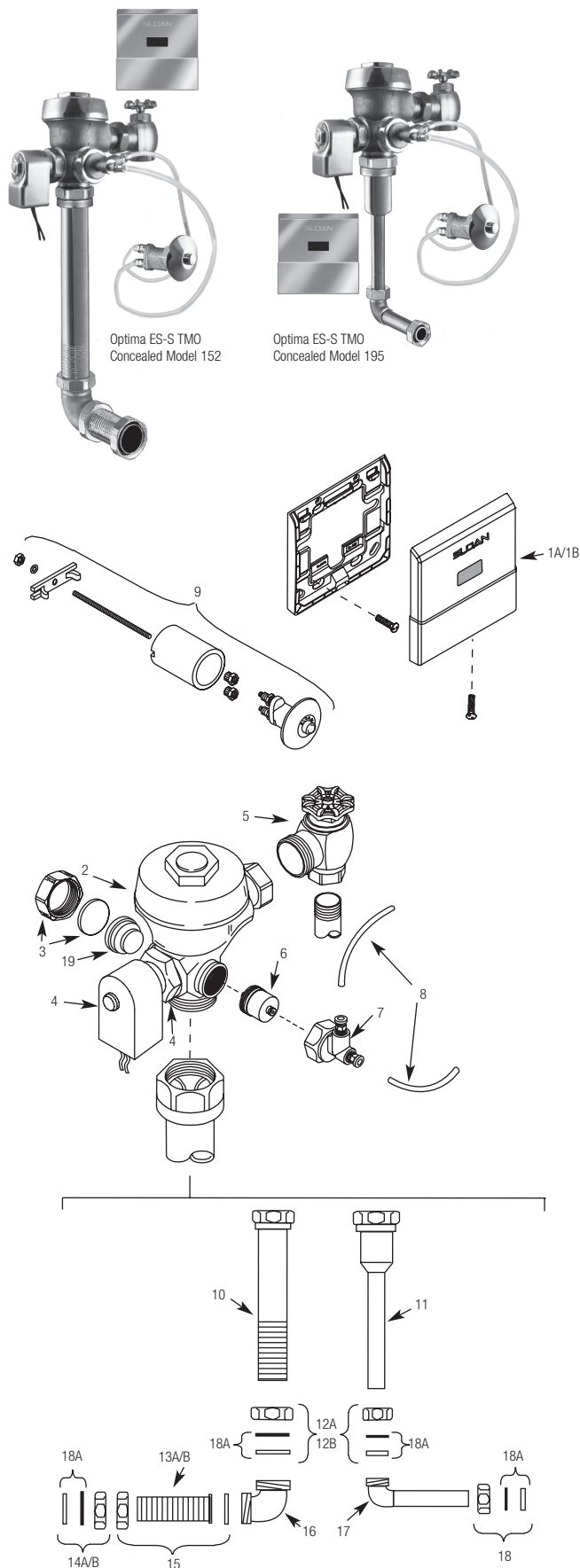


Optima® Royal® ES-S TMO Concealed Flushometers



ROYAL® OPTIMA® ES-S TMO CONCEALED FLUSHOMETER PARTS LIST

Item No.	Code No.	Part No.	Description
1A.	3305107	EL-635-A	CP Cover Plate with Sensor (Mounting Screws included) (Model 152)
1B.	3305101	EL-645-A	CP Cover Plate with Sensor (Mounting Screws included) (Model 195)
2.	‡	—	Valve Assembly
3.	3301093	A-1013-A	Concealed Valve Handle Cap RB
4.	0305331	EL-138-2	RB Concealed 24V Solenoid Assembly
4A.	3305043	EL-128-A	Actuator Cartridge Assembly Only
5.	‡	H-730-A	RB Bak-Chek® Control Stop
6.	3318001	HY-83-A	Actuator Cartridge
7.	3318005	HY-109-A-1	Valve Actuator Assembly
8.	0318093	HY-30	1/4" (6 mm) x 48" (1219 mm) Connecting Tubes
9.	0318117	HY-100-A-1	Metal Push Button Assembly
10.	‡	V-500-AA	1-1/2" (38 mm) Vacuum Breaker Assembly RB (Model 152)
11.	‡	V-500-AA	3/4" (19 mm) Vacuum Breaker Assembly RB (Model 192)
12A.	0306088	F-2-AT	1-1/2" (38 mm) Slip Joint Coupling Assembly RB (Model 152)
12B.	0306054	F-2-AW	3/4" (19 mm) Slip Joint Coupling Assembly RB (Model 192)
13A.	‡	F-110	1-1/4" (32 mm) Outlet Tube with Flange and Scoring (Model 152)
13B.	‡	F-100	1-1/2" (38 mm) Outlet Tube with Flange and Scoring (Model 152)
14A.	0306059	F-2-AU	1-1/4" (32 mm) Slip Joint Coupling Assembly RB (Model 152)
14B.	0306088	F-2-AT	1-1/2" (38 mm) Slip Joint Coupling Assembly RB (Model 152)
15.	0306091	F-2-A	1-1/2" (38 mm) Coupling with S-21 Gasket (Model 152)
16.	0206146PK	F-21	1-1/2" (38 mm) Double Male Slip Joint Elbow
17.	‡	F-15-A	ELL with 3/4" (19 mm) Tail
18.	0306054	F-2-AW	3/4" (19 mm) Slip Joint Coupling
18A.	SEE SLIP JOINT GASKETS AND RINGS TABLE BELOW		
19.	0305190	EL-190-A	Handle Adapter Assembly
20.	3345020	EL-1033-A	ESS to TMO Retrofit Kit (Concealed)*
	3388015	H-1015-A	Flow Control Kit (HEU Only) (not Shown)

‡ Part number varies with valve model variation; consult factory.

* Not Shown

ITEM 18A. SLIP JOINT GASKETS AND RINGS

Size	Code No.	Part No.	Description
1-1/2"	5306058	F-3	Red Friction Ring
	5322001	VBF-5	Black Slip Joint Gasket
	0319086/5319086	S-30	Flexible Seat
	0319079	S-21	Rigid Seat (rubber over brass)
1-1/2" x 1-1/4"	0396062	F-105	Slip Joint Gasket – Rigid
1-1/4"	5306057	F-3	Red Friction Ring
	5322176	VBF-5	Black Slip Joint Gasket
1"	0307052/5307052	G-21	Rigid Seat (rubber over brass)
	5306056	F-3	Red Friction Ring
3/4"	5306115	F-5	Black Slip Joint Gasket
	5306055	F-3	Red Friction Ring
	5306113	F-5	Black Slip Joint Gasket