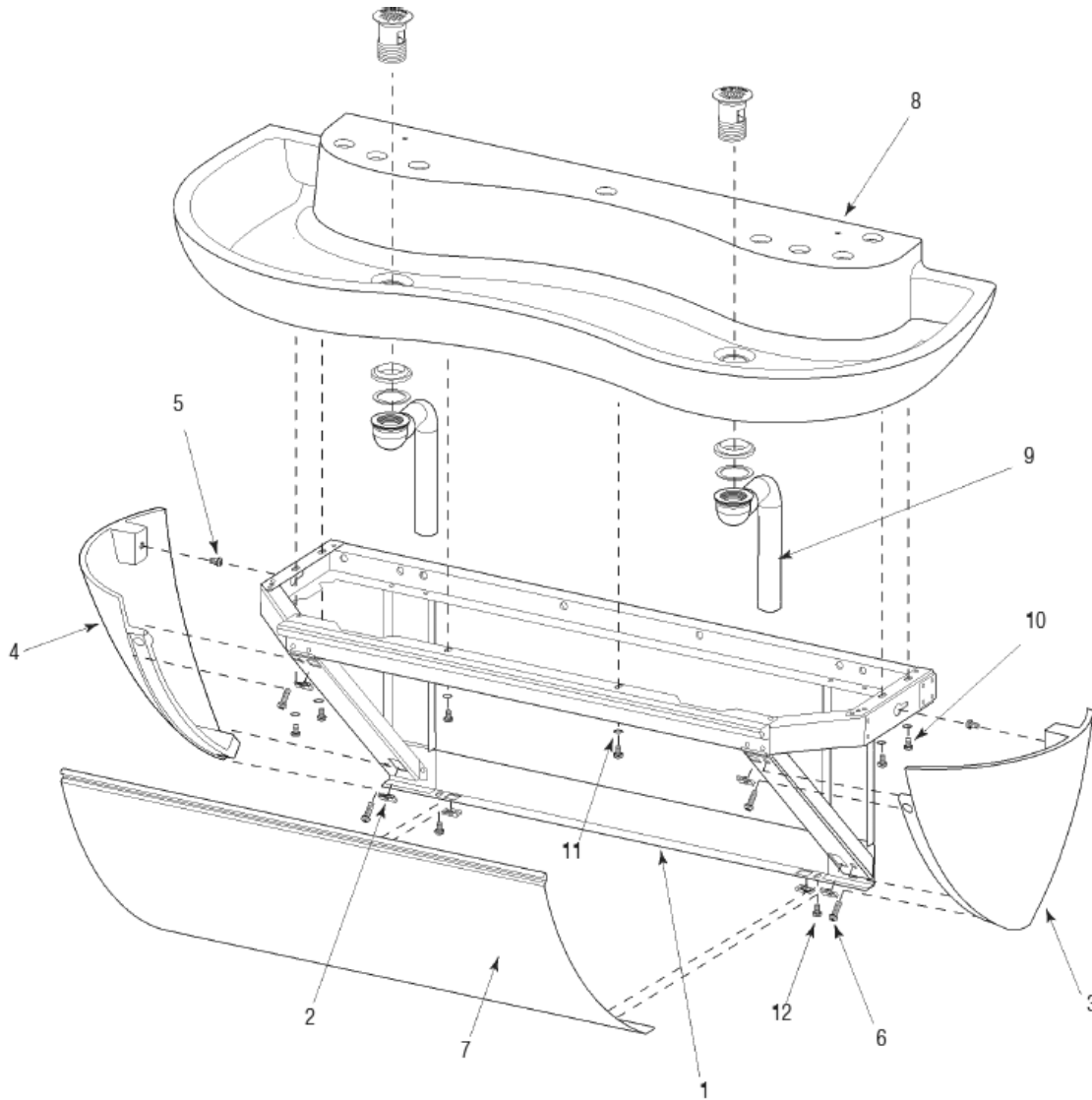


SloanStone® ELS-72000-30 Double Station Cabinet and Basin Assemblies



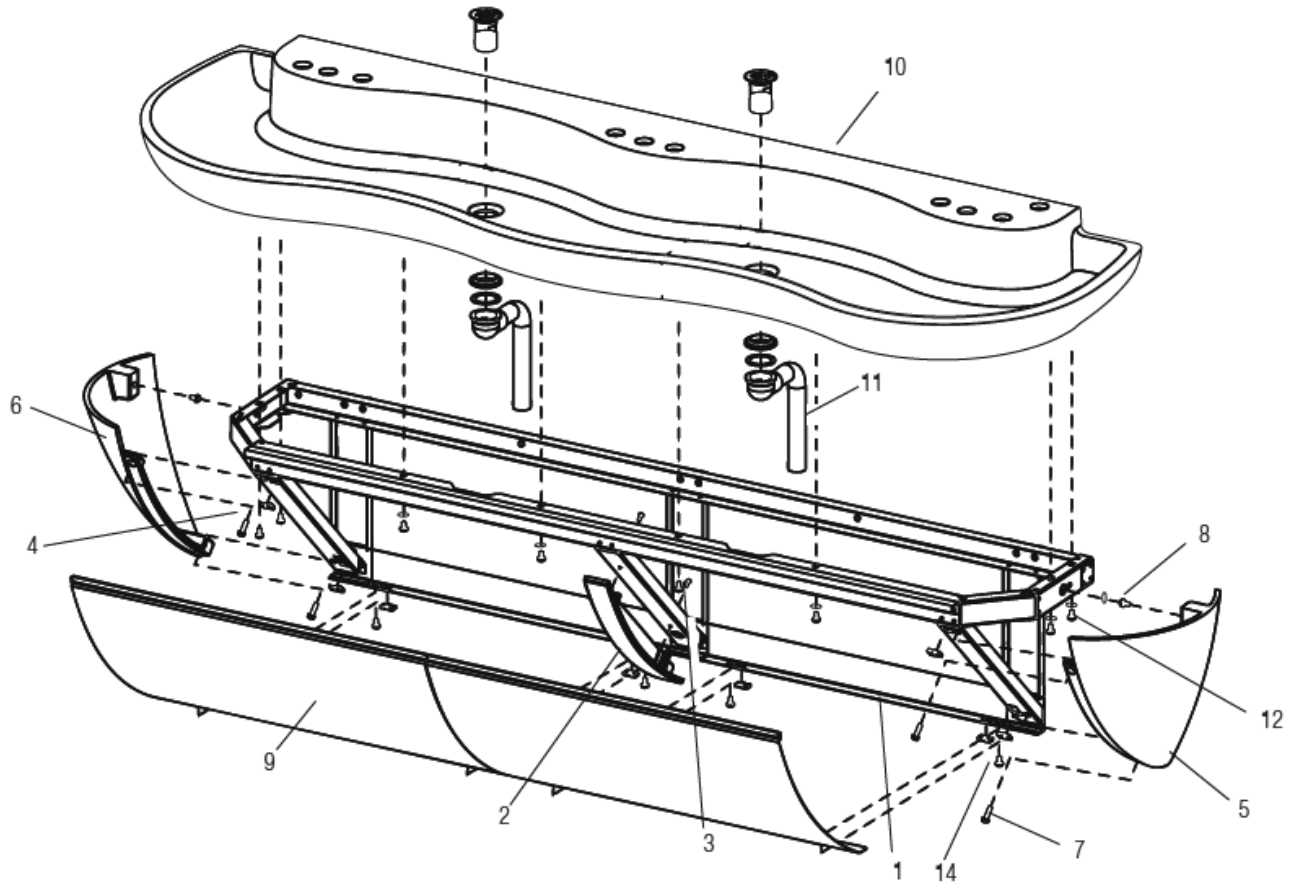
ItemPart No. No.	Description
1 EW-20-A	Cabinet Weldment, 2 Station
2 EW-99	U-Type Nut Standard 1/4-20 Thread (6)
3 EW-60	End Cap Right - Machined
4 EW-52	End Cap Left - Machined
5 EW-15	Screw, Pan Head 1/4-20 x 1/2" Long (SEMS) (2)
6 EW-16	Screw, Pan Head 1/4-20 x 1" Long (SEMS) (4)
7 EW-25	Front Panel, 2 Station

ItemPart No. No.	Description
8 SEE TABLE	Double Station Lavatory Basin Assembly
9 ETF-725-A	Grid Strainer Assembly (2)
10 ELC-41	Screw, Truss Head 1/4-20 x 1/2" Long (6)
11 EW-157	Washer (6)
12 EW-15	Screw, Pan Head 1/4-20 x 1/2" Long (SEMS) (2)
- EW-98	Light Duty Buffing Pad (Not Shown)
- EW-108	General Duty Buffing Pad (Not Shown)

ITEM NO. 8 – Double Station Lavatory Basin Hole Patterns

Hole Pattern	—	A	B	C	D
Part No.	ELS-9-A-XXX	ELS-9-A-XXX-A	ELS-9-A-XXX-B	ELS-9-A-XXX-C	ELS-9-A-XXX-D
Basin Hole Pattern					

**SloanStone® ELS-73000-30 Triple Station
Cabinet and Basin Assemblies**



ItemPart No. No.	Description
1 EW-149	Cabinet Weldment, 3 Station
2 EW-50	Front Panel Support - Machined
3 EW-36	Screw, Pan Head #8-32 x 7/16" Long (SEMS) (2)
4 EW-99	U-type Nut, Standard 1/4-20 Thread (8)
5 EW-60	End Cap Right - Machined
6 EW-52	End Cap Left - Machined
7 EW-16	Screw, Pan Head 1/4-20 x 1" Long (SEMS) (4)
8 EW-15	Screw, Pan Head 1/4-20 x 1/2" Long (SEMS) (2)

ItemPart No. No.	Description
9 EW-155	Front Panel, 3 Station (2)
10 SEE TABLE	Triple Station Lavatory Basin Assembly
11 ETF-725-A	Grid Strainer Assembly (2)
12 ELC-41	Screw, Truss Head 1/4-20 x 1/2" Long (8)
13 EW-157	Washer (8)
14 EW-15	Screw, Pan Head 1/4-20 x 1/2" Long (SEMS) (4)
- EW-98	Light Duty Buffing Pad (Not Shown)
- EW-108	General Duty Buffing Pad (Not Shown)

ITEM NO. 10 – Triple Station Lavatory Basin Hole Patterns

Hole Pattern	—	A	B	C	D
Part No.	ELS-11-A-XXX	ELS-11-A-XXX-A	ELS-11-A-XXX-B	ELS-11-A-XXX-C	ELS-11-A-XXX-D

Basin Hole Pattern

