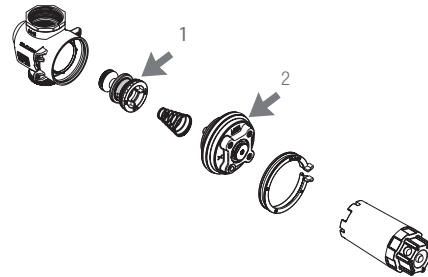


## Sloan CX Manual Flushometer

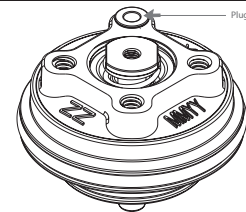
### TROUBLESHOOTING GUIDE

Item No.	Part No.	Description
1	<b>Consult Factory</b>	Piston Assembly
2	<b>See Table</b>	Activation Assembly



### ACTIVATION ASSEMBLY SELECTION GUIDE

Code No.	Description	Plug Color*
<b>3340048</b>	1.6 gpf/6.0 Lpf closet activation assembly	Green
<b>3340049</b>	1.28 gpf/4.8 Lpf closet activation assembly	Purple
<b>3340051</b>	0.5 gpf/1.9 Lpf urinal activation assembly	Red
<b>3340052</b>	0.25 gpf/1.0 Lpf urinal activation assembly	Burgundy



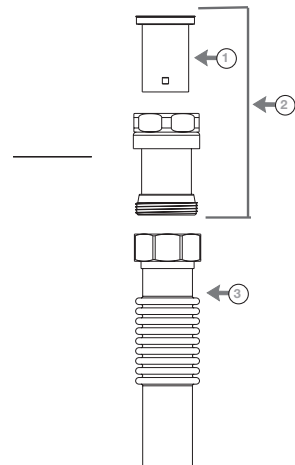
\* Colors may differ. Consult factory to confirm you have the correct activation assembly.

IN ORDER FOR THE WATER CLOSET AND THE URINAL TO PERFORM PROPERLY FOR ITS INTENDED USE, YOU MUST FOLLOW THESE INSTRUCTIONS:

- A.** IDENTIFY YOUR FLUSHOMETER MODEL NO.
- B.** CHECK FOR THE WATER CONSUMPTION LABEL ATTACHED TO THE FLUSHOMETER AND FIXTURE, ENSURING THEY MATCH
- C.** REFER TO SPECIFIC FLUSHOMETER SECTION IN GUIDE FOR APPROPRIATE REPLACEMENT PART NO.

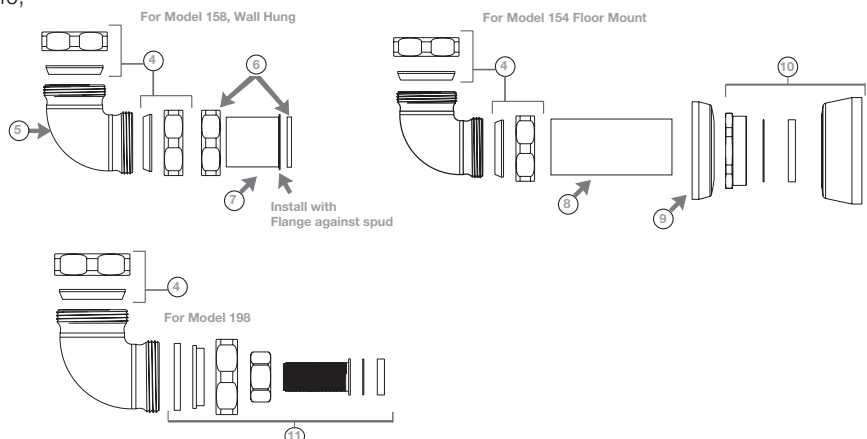
### FLUSH CONNECTION PARTS

Item	Code No.	Description
1	_____	V-651A Vacuum Breaker Repair Kit
2	<b>0323279</b>	V-500A RB Vacuum Breaker Assembly
3	_____	F-219A Adjustable Tube for Wall Hung Closets and Urinals F-220A Adjustable Tube for Floor Mount Closets
4	_____	CX Poly Washer Coupling (set of 2)
5	_____	F-305 CX Elbow for CX Poly Washer
6	<b>0306091</b>	F-2-A 1-1/2" Coupling with S-21 Gasket
7	_____	F-1 1 1/2" (38 mm) Flanged outlet tube RB, 6"
8	<b>0396669PK</b>	F-102 1-1/2" (38 mm) Outlet Tube CP 8"
9	<b>0306238PK</b>	F-7 Flange CP*
10	<b>0306146PK</b>	F-5-A 1-1/2" Spud Coupling Assembly CP*
11	_____	CX Urinal Connection



\* Consult factory for alternate finish options

Manufactured in the U.S.A by Sloan Valve Company under one or more of the following patents: U.S. Patents. 5,295,655; 5,542,718; 5,558,120; 5,564,460; 5,730,5,887,848; 5,967,182. Other Patents Pending.  
Bak-Chek®, Para-flo®, PERMEX®, Turbo-Flo®



## Sloan CX Flushometer

### TROUBLESHOOTING GUIDE

#### 1. Flushometer does not function (no water/flush).

- A. Ensure water supply to valve is turned on.
- B. Shut off sleeve is in closed position. Turn counterclockwise to open water flow.
- C. Plunger screw is not adjusted properly. Adjust screw using depth guide.

#### 2. Volume of water is not sufficient to evacuate the bowl.

- A. Shut off sleeve is not open wide enough. Adjust shut off sleeve for desired delivery of water volume.
- B. Urinal piston parts installed in a Closet flushometer. Replace piston with proper Closet piston (1.6 gpf/6.0 Lpf or 1.28 gpf/4.8 Lpf)
- C. Water supply volume or pressure is inadequate (low). If the fixture does not siphon or evacuate the bowl, steps must be taken to increase the water supply pressure and/or volume. Contact the fixture manufacturer for minimum water supply requirements of the fixture.
- D. Plunger screw is not adjusted properly. Adjust screw using depth guide.

#### 3. Flushometer closes off immediately.

- A. Urinal piston parts installed in a Closet flushometer. Replace piston with proper Closet piston (1.6 gpf/6.0 Lpf or 1.28/4.8 Lpf).
- B. Piston lip seal may be damaged or worn. Replace with new correct gpf/Lpf piston.
- C. Plunger screw not set properly. Adjust screw using depth guide.

#### 4. Length of flush is too short (Short Flush).

- A. Incorrect piston is installed in Flushometer; for instance, Urinal assembly inside a Closet Flushometer, or High Efficiency assembly inside a higher consumption fixture. Determine the flush volume required by the fixture and replace with proper gpf/Lpf piston. Use valve label and markings on fixture for reference.
- B. Piston lip seal may be damaged or worn. Replace with new correct gpf/Lpf piston.
- C. Plunger screw is not adjusted properly. Adjust screw using depth guide.

#### 5. Length of flush is too long (Long Flush) or continuous.

- A. Metering bypass hole in piston is clogged. Remove the piston from the valve, slide o ring off filter, and wash under clean running water. Reposition o-ring before reinstalling piston. Replace piston if cleaning does not correct the problem.
- B. Supply line water pressure has dropped and is not sufficient to close the valve. Close shut off sleeve until pressure is restored.
- D. Piston is damaged. Replace with new proper gpf/Lpf piston
- E. Incorrect Piston is installed in Flushometer; for instance, Closet assembly inside a Urinal flushometer. Determine the flush volume required by the fixture and replace piston. Use valve label and markings on fixture for reference.

#### 6. Chattering noise is heard during flush.

- A. Reduce flow pressure by turning shut off sleeve clockwise.

### CARE AND CLEANING

**DO NOT** use abrasive or chemical cleaners (including chlorine bleach) to clean Flushometers that may dull the luster and attack the chrome or special decorative finishes. Use **ONLY** mild soap and water, then wipe dry with clean cloth or towel. While cleaning the bathroom tile, protect the Flushometer from any splattering of cleaner. Acids and cleaning fluids will discolor or remove chrome plating.

