

**CODE NUMBER**

3451667

**DESCRIPTION**

1.28 gpf, Polished Chrome Finish, Fixture Connection Rear Spud, Single Flush, 2-10.75 L Dimension, Hardwired, Sensor-Operated with Modular Plug, 24V, Royal® Concealed Sensor Hardwired Water Closet Flushometer.

**DETAILS**

- Flush Volume: 1.28 gpf (4.8 Lpf)
- Finish: Polished Chrome (CP)
- Power Type: Hardwired (HW)
- Valve: Diaphragm
- Valve Body Material: Semi-red Brass
- Fixture Type: Water Closet
- Fixture Connection: Rear Spud
- Rough-In Dimension: 14 ½" (368mm)
- Spud Coupling: 1 ½" (38mm)
- Supply Pipe: 1" (25mm)
- L Dimension: 2" - 10 ¾" (51 - 273mm)
- Voltage: 24V

**FEATURES**

- PERMEX® Synthetic Rubber Diaphragm with Dual Filtered Fixed Bypass
- Quiet, Concealed, Rough Brass Closet Flushometer for either left or right hand supply with the following features:
- Chrome Plated Exposed Flushometer Parts
- Non-Hold-Open Integral Solenoid Operator, Fixed Metering Bypass and No External Volume Adjustment to Ensure Water Conservation
- Stop Seat and Vacuum Breaker molded from PERMEX® Rubber Compound for Chloramine Resistance
- High Back Pressure Vacuum Breaker Flush Connection and Spud Coupling for 1 1/2" Concealed Back Spud
- OPTIMA® EL-461 Water Resistant (NEMA 4) Infrared Sensor with Indicator Light and 36-Inch Cord with Modular Plug
- User friendly adjustable 2 to 6 second Flush Delay
- Water-Resistant (NEMA 4) Courtesy Flush® Override Button
- Non-Hold-Open Integral Solenoid Operator with 15-Foot Cord and Modular Plug
- Chrome Plated, Surface Mount Sensor Enclosure with Wall Gasket
- 1" I.P.S. Wheel Handle Bak-Chek® Angle Stop
- Flush accuracy controlled by CID® technology

**VIDEOS**

- ▶ [ESS Flushometer](#)



**COMPLIANCES & CERTIFICATIONS**



(ADA Compliant, BAA Compliant, BABAA Compliant, BREEAM Water Credit, cUPC Certified, cUPC Green Certified, Green Globes Water Credit, LEED V4 Water Efficiency Credit, Satisfies LEED Credits, UL Certified, WaterSense Listed)

**RECOMMENDED SPECIFICATION**

Valve Body, Cover, Tailpiece and Control Stop shall be in conformance with ASTM Alloy Classification for Semi- Red Brass. Valve shall be in compliance with the applicable sections of ASSE 1037 and ANSI/ASME 112.19.2.

**ELECTRICAL SPECIFICATIONS**

- Arming Delay: 8 seconds
- Flush Delay: 2-6s
- Sensor Range: 0" - 36" (0-914mm)
- Solenoid Operator: 24 VAC
- Transformers (specify separately):
  - 0345154
  - 0345999

**VALVE OPERATING PRESSURE (FLOWING)**

15-80 PSI (103-552 kPa). Specific fixtures may require greater minimum flowing pressure - consult manufacturer requirements.

**DOWNLOADS**

- [Royal/Sloan/Crown SWB ESS Installation Instructions](#)
- [Royal ESS Concealed and Exposed Installation Instructions](#)
- [Royal 152/195 ESS TMO Concealed SWB Installation Instructions](#)
- [150/152/190/194/195 ES-SM Installation Instructions](#)
- [Royal ESS Concealed with Wall Box Installation Instructions](#)
- [Royal 152/195 ESS TMO Installation Instructions](#)
- [Royal 152/195 ESS TMO \(Spanish\) Installation Instructions](#)

**Sloan 10500 Seymour Ave, Franklin Park, IL 60131**

Phone: 800.982.5839 • Fax: 800.447.8329 • [sloan.com](http://sloan.com)

- [Royal 152/195 ESS TMO SBX Installation Instructions](#)
- [Royal 152/195 SWB ESS TMO \(Spanish\) Installation Instructions](#)
- [Control Stop Repair and Maintenance Guide](#)
- [Flush Connections Flanges Repair and Maintenance Guide](#)
- [Tail Piece Repair and Maintenance Guide](#)
- [Optima ESS Repair and Maintenance Guide](#)
- [Optima ESS TMO Concealed Repair and Maintenance Guide](#)
- [Optima ESS TMO SWB Concealed Repair and Maintenance Guide](#)
- [Royal ESS SWB Repair and Maintenance Guide](#)
- [Flushometer Pressure gauges](#)
- [Additional Downloads](#)

#### NOTES

All information contained within this document subject to change without notice.

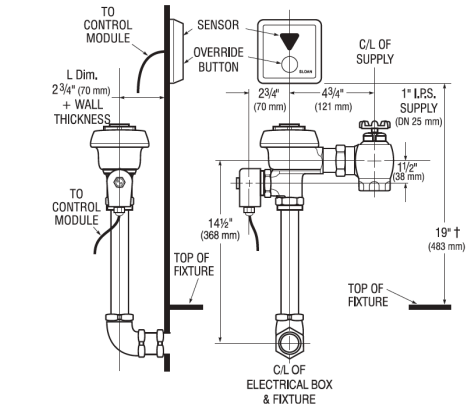
Looking for other variations of the ROYAL 152 ESS product?  
[View the general spec sheet with all options.](#)

WaterSense compliant when used with a WaterSense compliant fixture

#### WARRANTY

[View Warranty Information](#)

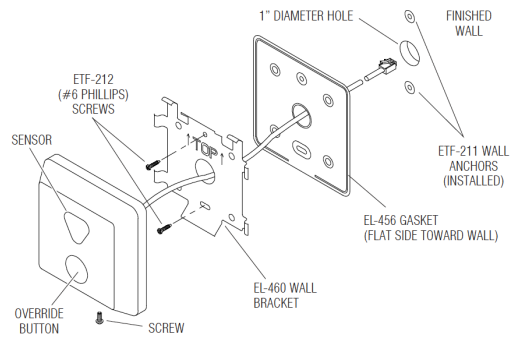
#### ROUGH-IN



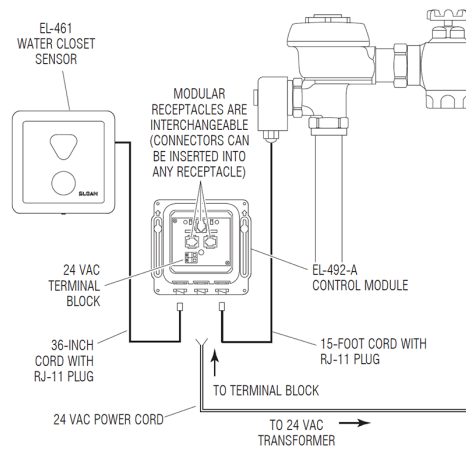
**SENSOR INSTALLATION**

**SENSOR LOCATION AND POSITIONING IS CRITICAL**

Failure to properly position the sensor to the plumbing rough-in will result in improper installation and impair product performance. All tradesmen (plumbers, electricians, tile setters, etc.) involved with the installation of this product must coordinate their work to assure proper product installation.



**WIRING DIAGRAM**



Sloan 10500 Seymour Ave, Franklin Park, IL 60131

Phone: 800.982.5839 • Fax: 800.447.8329 • [sloan.com](http://sloan.com)