

**CODE NUMBER**

3779727

**DESCRIPTION**

1.6 gpf, Polished Chrome Finish, Fixture Connection , Single Flush, Electrical Override, Hardwired, Sensor-Operated, 24V, Sloan® Exposed Sensor Specialty Hardwired Water Closet Bedpan Washer Flushometer.

**DETAILS**

- Flush Volume: 1.6 gpf (6.0 Lpf)
- Finish: Polished Chrome (CP)
- Power Type: Hardwired (HW)
- Valve: Diaphragm
- Valve Body Material: Semi-red Brass
- Fixture Type: Water Closet
- Rough-In Dimension: 26 ½" (673mm)
- Spud Coupling: 1 ½" (38mm)
- Supply Pipe: 1" (25mm)
- Override: Electrical
- Voltage: 24V

**FEATURES**

- High Chloramine Resistant PERMEX® Synthetic Rubber Diaphragm with Linear Filtered Bypass and Vortex Cleansing Action™
  - 1" I.P.S. Screwdriver Bak-Chek® Angle Stop with Vandal Resistant Stop Cap
  - Vandal Resistant Stop Cap
  - Vacuum Breaker with Flush Connection
  - User friendly three (3) second Flush Delay
  - Courtesy Flush® Override Button
  - Non-Hold-Open Integral Solenoid Operator
  - Die Cast Sensor Plate with no visible Fasteners (for 2-gang Electrical Box)
  - Die Cast Solenoid Wall Cover Plate with visible Fasteners (for 2-gang Electrical Box)
  - Spud Coupling and Spud Flange for 1 1/2" Top Spud
  - Sweat Solder Adapter with Cover Tube and Cast Wall Flange
  - Non-Hold-Open Handle and No External Volume Adjustment to Ensure Water Conservation
  - Diaphragm, Handle Packing and Vacuum Breaker Molded from PERMEX® Rubber Compound for Chloramine Resistance
- Bedpan Washer Diverter Assembly with the following features:
- Solid One-piece Body Construction
  - Solid Brass Spray Arm
  - Counter Balanced Pivot Assembly and Diverter Valve Wall Support
  - ADA Compliant Metal Oscillating Non-Hold-Open Handle

**VIDEOS**

- ▶ [ESS Flushometer](#)



**COMPLIANCES & CERTIFICATIONS**



(ADA Compliant, BAA Compliant, BABAA Compliant, cUPC Certified, UL Certified, UPC Certified)

**RECOMMENDED SPECIFICATION**

Valve Body, Cover, Tailpiece and Control Stop shall be in conformance with ASTM Alloy Classification for Semi- Red Brass. Valve shall be in compliance with the applicable sections of ASSE 1037 and ANSI/ASME 112.19.2.

**ELECTRICAL SPECIFICATIONS**

- Arming Delay: 16 seconds
- Control Circuit: Solid State/24 VAC Input/24 VAC Output
- Flush Delay: 3s
- Self-Adaptive Window: ±10
- Sensor Range: 22"-42" (559-1,067mm)
- Solenoid Operator: 24 VAC
- Transformers (specify separately):
  - 0345154
  - 0345999

**VALVE OPERATING PRESSURE (FLOWING)**

15-80 PSI (103-552 kPa). Specific fixtures may require greater minimum flowing pressure - consult manufacturer requirements.

**DOWNLOADS**

- [BPW ESS Installation Instructions](#)
- [Optima ESS Repair and Maintenance Guide](#)
- [Slimline Bedpan Washer Repair and Maintenance Guide](#)
- [Control Stop Repair and Maintenance Guide](#)
- [Flush Connections Flanges Repair and Maintenance Guide](#)
- [Tail Piece Repair and Maintenance Guide](#)
- [Flushometer Pressure gauges](#)
- [Additional Downloads](#)

**NOTES**

All information contained within this document subject to

**Sloan 10500 Seymour Ave, Franklin Park, IL 60131**

Phone: 800.982.5839 • Fax: 800.447.8329 • [sloan.com](http://sloan.com)

change without notice.

Looking for other variations of the Sloan BPW 1150 ESS product? [View the general spec sheet with all options.](#)

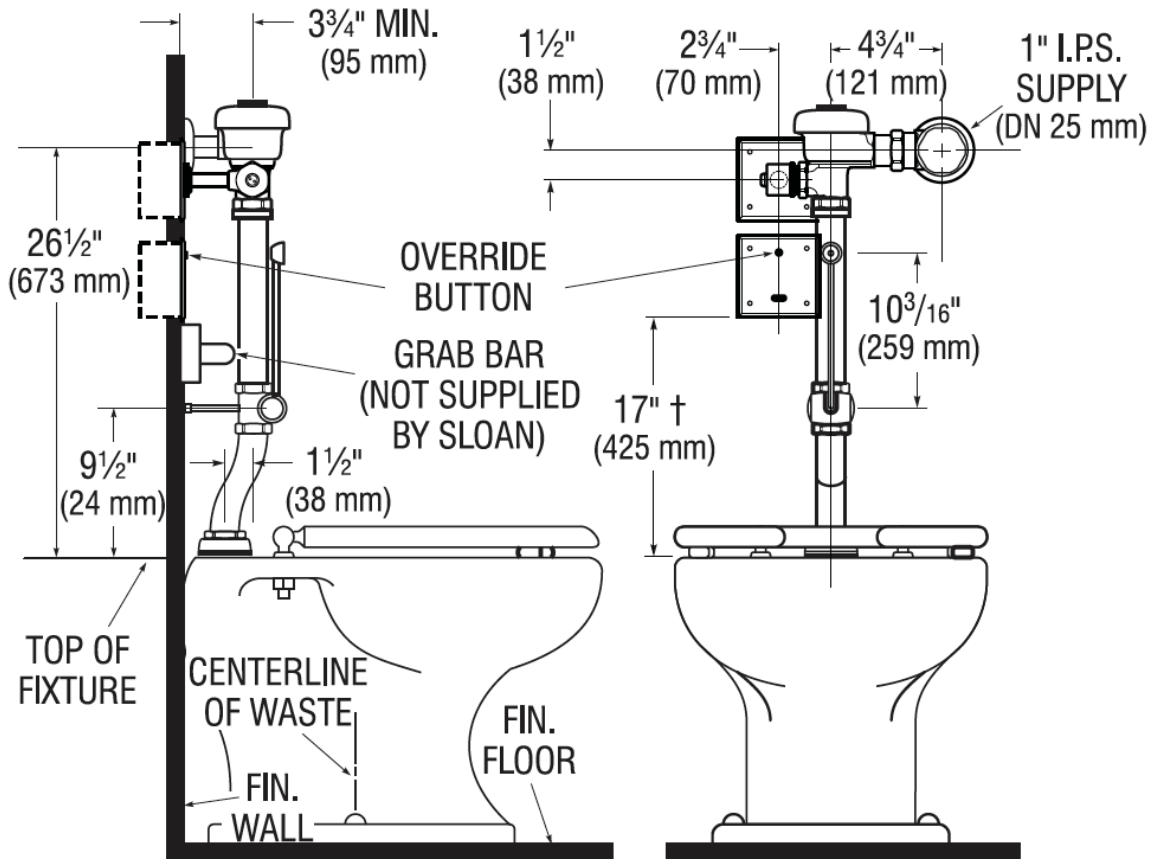
[Find a compatible urinal](#) for this flushometer.

[Find a compatible water closet](#) for this flushometer.

**WARRANTY**

[View Warranty Information](#)

**ROUGH-IN**



† Position of Sensor Box can be raised or lowered 1" (25 mm) if in conflict with Handicap Grab Bars.